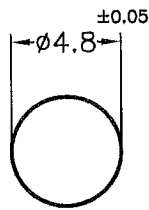
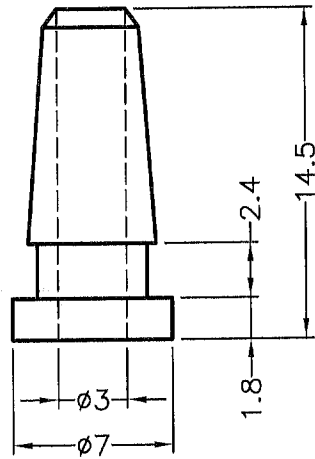



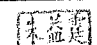
DTM.	TOL.
5mm DOWN	±0.2
5~20mm	±0.3
20~40mm	±0.4
40~60mm	±0.5
60~100mm	±0.8
100mm UP	±1.0

REVISIONS			
REV	DESCRIPTION	DATE	BY



MOUNTING HOLE

NOTE: All measurement does not include gate which raises under 1.2mm.

 康揚企業股份有限公司 KANG YANG HARDWARE ENTERPRISE CO., LTD. 康揚塑膠(東莞)有限公司 KANG YANG PLASTIC(DONG GUAN) CO., LTD. ISO 9001 ISO 14001 QG 080000 康哲電腦配件(吳江)有限公司 KANG CHE COMPUTER COMPONENTS(WUJIANG) CO., LTD.		TITLE	SNAP BUSHING	SPEC. DWG.	
		MATERIAL	TPE	DATE	2008.08.01
		HARDNESS		DRAWN	Tony
		COLOR	BLACK	CHECK	
PART NUMBER	LGT-6G	DRAWING NUMBER	LGT-6G	UNLESS OTHERWISE SPECIFIED TOLERANCE	SEE ABOVE
SIZE	A4	SCALE	3:1	UNIT	mm
		REV	A	APPROVED	