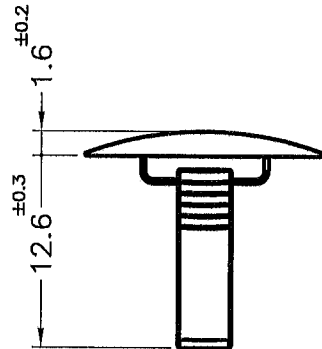
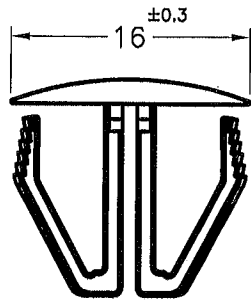





REVISIONS			
REV	DESCRIPTION	DATE	BY



MOUNTING HOLE $\phi 9.5 \sim \phi 11$
 THICKNESS 0.8~3.2

PART NO.	COLOR
MBWK4-1	BLACK
MBWK4-1(W)	WHITE

NOTE:MADE OF EQUIVALENT MATERIAL.
 均可使用同等材質.

 <p>康揚企業股份有限公司 KANG YANG HARDWARE ENTERPRISE CO., LTD. 康揚塑膠(東莞)有限公司 KANG YANG PLASTIC(DONG GUAN) CO., LTD. 康哲電腦配件(吳江)有限公司 KANG CHE COMPUTER COMPONENTS(WUJIANG) CO., LTD.</p>	TITLE		HOLE PLUGS		SPEC. DWG		
	MATERIAL		NYLON 66 UL94V-2		DATE		2013.03.29
	FINISH				DRAWN		K.W
	COLOR		SEE ABOVE		CHECK		
PART NUMBER		DRAWING NUMBER		UNLESS OTHERWISE SPECIFIED TOLERANCE		APPROVED	
SEE ABOVE		MBWK4-H		SEE ABOVE			
SIZE	SCALE	UNIT	REV				
A4	2:1	mm	B				