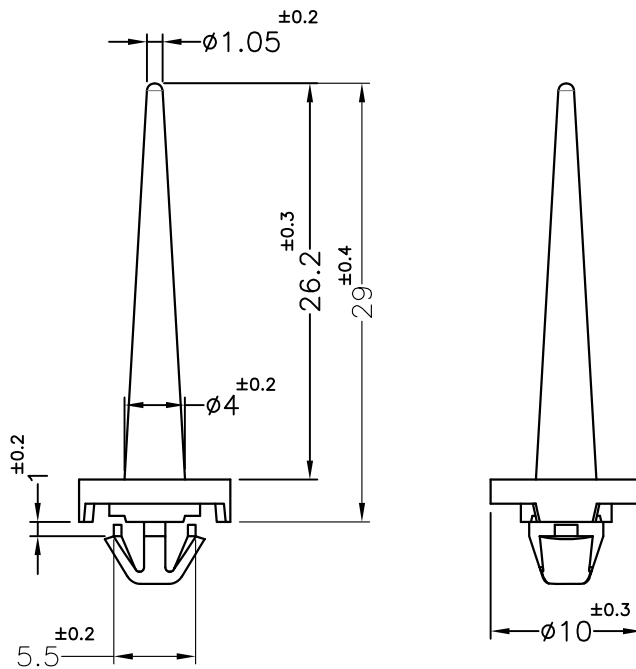



| REVISIONS | | | |
|-----------|-------------|------|----|
| REV | DESCRIPTION | DATE | BY |
| | | | |
| | | | |



HOLE IN P.C.B: $\phi 5.2$
P.C.B THICKNESS: 0.6~0.8

| PART NO. | MATERIAL | COLOR |
|----------------|------------|----------------|
| MCF-2908V0 | PC UL94V-0 | TRANSPARENT |
| MCF-2908V01(W) | PC UL94V-0 | NATURAL(WHITE) |

NOTE:MADE OF EQUIVALENT MATERIAL.
使用同等材質

| | | | | | | | |
|---|----------------|------|--------------------------------------|----------|----------------|------------|------------|
|  <p>康揚企業股份有限公司 KANG YANG HARDWARE ENTERPRISE CO., LTD. 康揚塑膠(東莞)有限公司 KANG YANG PLASTIC(DONG GUAN) CO.,LTD. 康哲電腦配件(吳江)有限公司 KANG CHE COMPUTER COMPONENTS(WUJIANG) CO.,LTD.</p> | | | | TITLE | SPACER SUPPORT | SPEC. DWG. | |
| | | | | MATERIAL | SEE ABOVE | DATE | 2014.01.20 |
| | | | | FINISH | | DRAWN | T.C |
| | | | | COLOR | SEE ABOVE | CHECK | |
| PART NUMBER | DRAWING NUMBER | | UNLESS OTHERWISE SPECIFIED TOLERANCE | | | | |
| SEE ABOVE | MCF-2908 | | SEE ABOVE | | | | |
| SIZE | SCALE | UNIT | REV | APPROVED | | | |
| A4 | 2:1 | mm | A | | | | |