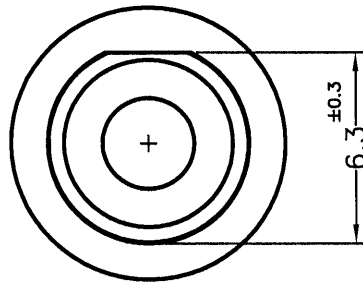
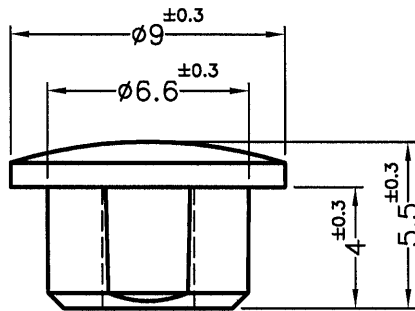




REVISIONS			
REV	DESCRIPTION	DATE	BY



MOUNTING HOLE $\phi 6.35$

 康揚企業股份有限公司 KANG YANG HARDWARE ENTERPRISE CO., LTD. 康揚塑膠(東莞)有限公司 KANG YANG PLASTIC(DONG GUAN) CO., LTD. 康哲電腦配件(吳江)有限公司 KANG CHE COMPUTER COMPONENTS(WUJIANG) CO., LTD.		TITLE	HOLE PLUGS	SPEC. DWG.
		MATERIAL	SILICON RUBBER	DATE
PART NUMBER		MHD-6.3I	DRAWING NUMBER	MHD-6.3I
SIZE	SCALE	UNIT	REV	APPROVED
A4	4:1	mm	A	
COLOR			BLACK	CHECK
UNLESS OTHERWISE SPECIFIED TOLERANCE			SEE ABOVE	