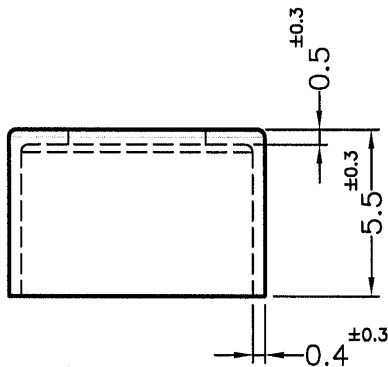
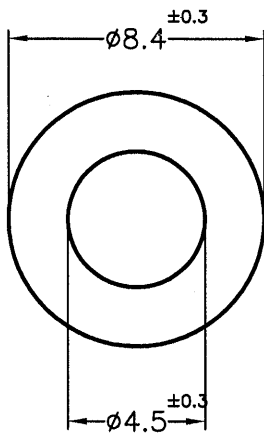

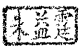



REVISIONS			
REV	DESCRIPTION	DATE	BY



 <p>康揚企業股份有限公司 KANG YANG HARDWARE ENTERPRISE CO., LTD. 康揚塑膠(東莞)有限公司 KANG YANG PLASTIC(DONG GUAN) CO., LTD. 康哲電腦配件(吳江)有限公司 KANG CHE COMPUTER COMPONENTS(WUJIANG) CO., LTD.</p>				TITLE	MIC HOLDER	SPEC. DWG.	
				MATERIAL	UL94V-0 SILICON RUBBER	DATE	2013.10.31
				FINISH		DRAWN	Emily
				COLOR	BLACK	CHECK	
PART NUMBER	MIC-30IV0	DRAWING NUMBER	MIC-30IV0	UNLESS OTHERWISE SPECIFIED TOLERANCE	SEE ABOVE	APPROVED	
SIZE	A4	SCALE	4:1	UNIT	mm	REV	A