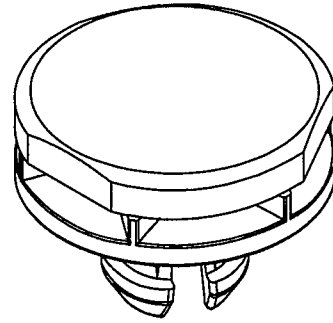
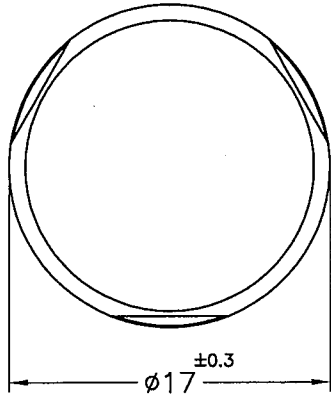
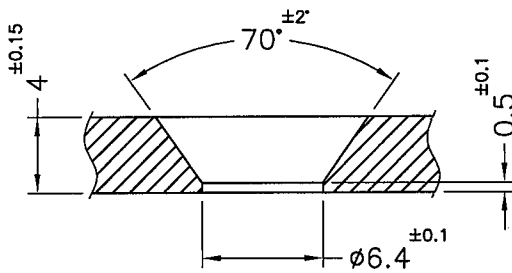
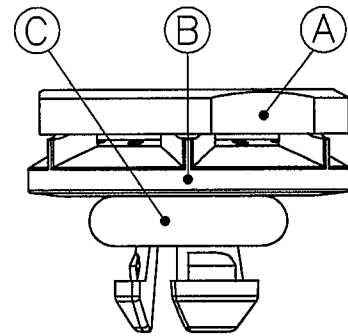
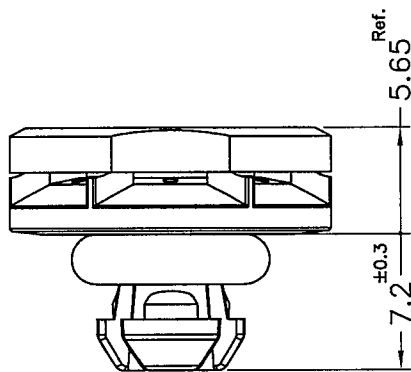


IP68 認證  
IP68 Certificate



O環 (O-RING)    基本軀體 (BODY)    帽蓋 (CAP)



RECOMMEND MOUNTING HOLE

ITEM.	MATERIAL
A, B	PC UL94V-0
C	SILICON RUBBER

- NOTE: 1. THE COLOR BATCH TEST REPORT IS ONLY FOR FIRST LOT TEST.  
色母環保檢測報告, 僅提供原始測試報告。  
2. MADE OF EQUIVALENT MATERIAL.  
均可使用同等材質。  
3. SLIGHT DEFORMED IS NORMAL STATUS.  
輕微變形為正常現象。

**K**  
ISO 9001  
ISO 14001  
QC 080000  
IATF 16949

康揚企業股份有限公司  
KANG YANG HARDWARE ENTERPRISE CO., LTD.  
康揚塑膠(東莞)有限公司  
KANG YANG PLASTIC(DONG GUAN)CO.,LTD.  
康哲電腦配件(吳江)有限公司  
KANG CHE COMPUTER COMPONENTS(WUJIANG)CO.,LTD.

PROPRIETARY AND CONFIDENTIAL THE INFORMATION CONTAINED IN THIS DRAWING IS THE SOLE PROPERTY OF KANG YANG HARDWARE ENTERPRISE CO. ANY REPRODUCTION IN PART OR AS A WHOLE WITHOUT THE WRITTEN PERMISSION OF KANG YANG HARDWARE ENTERPRISE CO. IS PROHIBITED.  DO NOT SCALE DRAWING	DATE	2019.05.23	TITLE	PRESSURE BALANCE SNAP	DWG. NO.	MOR-6.4	PART NO.	MOR-6.4V0BF
	DRAWN	K.W	MATERIAL	SEE ABOVE	SIZE	A4	SPEC. DWG	REV A
	CHECKED	<b>Kenny</b>	COLOR	BLACK	FINISH			
	APPROVED	<i>Kang</i>	UNLESS OTHERWISE SPECIFIED TOLERANCE:	SEE ABOVE	SCALE:	2.5:1	UNIT	mm