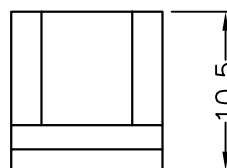
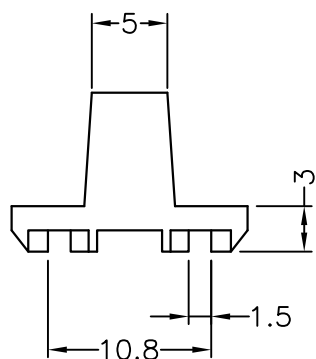
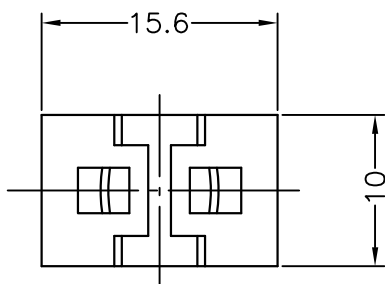



DIM.	TOL
5mm DOWN	±0.2
5~20mm	±0.3
20~40mm	±0.4
40~60mm	±0.5
60~100mm	±0.8
100mm UP	±1.0

REVISIONS			
REV	DESCRIPTION	DATE	BY



 <p> 康揚企業股份有限公司 KANG YANG HARDWARE ENTERPRISE CO., LTD. 康揚塑膠(東莞)有限公司 KANG YANG PLASTIC(DONG GUAN) CO., LTD. 康哲電腦配件(吳江)有限公司 KANG CHE COMPUTER COMPONENTS(WUJIANG) CO., LTD. </p>				TITLE	SPACER SUPPORT	TITLE	SPEC. DWG.
				MATERIAL	NYLON 66 UL94V-2	DATE	2007.06.08
				FINISH		DRAWN	BUNNY
				COLOR	NATURAL	CHECK	
PART NUMBER	MOU-01	DRAWING NUMBER	MOU-01	UNLESS OTHERWISE SPECIFIED TOLERANCE	SEE ABOVE	APPROVED	
SIZE	A4	SCALE	2:1	UNIT	mm	REV	A