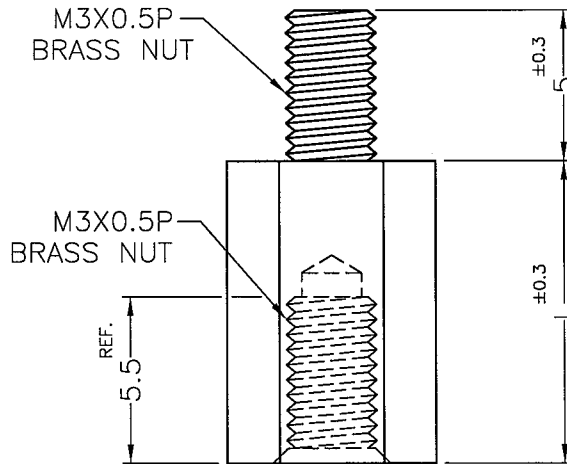
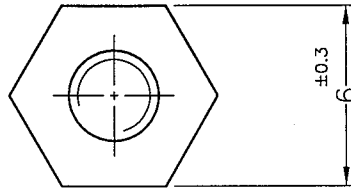


WITH HALOGEN
有鹵料件



PART NO.	L
MTP3-10PPSB	10
MTP3-15PPSB	15

NOTE:MADE OF PLASTIC OR EQUIVALENT MATERIALS.
塑膠製品或同等材質.



康揚企業股份有限公司
KANG YANG HARDWARE ENTERPRISE CO., LTD.
康揚塑膠(東莞)有限公司
KANG YANG PLASTIC(DONG GUAN)CO.,LTD.
康哲電腦配件(吳江)有限公司
KANG CHE COMPUTER COMPONENTS(WUJIANG)CO.,LTD.

康揚塑膠五金(泰國)有限公司
บริษัท หงษ์ พยางค์ (ไทยแลนด์) จำกัด
KANG YANG HARDWARE (THAILAND) CO., LTD.
康揚越南有限公司
CÔNG TY TNHH KANG YANG VIỆT NAM
KANG YANG VIETNAM CO., LTD.

PROPRIETARY AND CONFIDENTIAL THE INFORMATION CONTAINED IN THIS DRAWING IS THE SOLE PROPERTY OF KANG YANG HARDWARE ENTERPRISE CO., ANY REPRODUCTION IN PART OR AS A WHOLE WITHOUT THE WRITTEN PERMISSION OF KANG YANG HARDWARE ENTERPRISE CO. IS PROHIBITED. DO NOT SCALE DRAWING	DATE	2025.04.30	TITLE	PLASTIC METAL INSERT STANDOFF	DWG. NO.	MTP3-HPPSB	PART NO.	SEE ABOVE
	DRAWN	FORSEN	MATERIAL	PPS UL94V-0+GF	SIZE	A4	SPEC. DWG.	REV
	CHECKED		COLOR	BLACK	FINISH			A
	APPROVED		UNLESS OTHERWISE SPECIFIED TOLERANCE:	SEE ABOVE	SCALE:	4:1	UNIT	mm