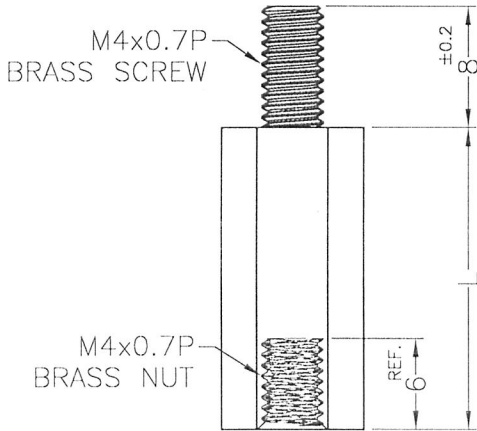
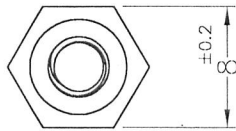


DIM.	TOL.
L<10	±0.2
10<L<30	±0.3
30<L<50	±0.5
50<L<100	±0.7
100<L<250	±1.2
ABOVE 250	±1.5



PART NO.	L
MTPH4-15F	15.0
MTPH4-16F	16.0
MTPH4-17F	17.0
MTPH4-18F	18.0
MTPH4-19F	19.0
MTPH4-20F	20.0
MTPH4-21F	21.0
MTPH4-22F	22.0
MTPH4-23F	23.0
MTPH4-24F	24.0
MTPH4-25F	25.0
MTPH4-26F	26.0
MTPH4-27F	27.0
MTPH4-28F	28.0
MTPH4-29F	29.0
MTPH4-30F	30.0
MTPH4-31F	31.0
MTPH4-32F	32.0
MTPH4-33F	33.0
MTPH4-34F	34.0
MTPH4-35F	35.0
MTPH4-36F	36.0
MTPH4-37F	37.0
MTPH4-38F	38.0
MTPH4-39F	39.0
MTPH4-40F	40.0

PART NO.	L
MTPH4-41F	41.0
MTPH4-42F	42.0
MTPH4-43F	43.0
MTPH4-44F	44.0
MTPH4-45F	45.0
MTPH4-46F	46.0
MTPH4-47F	47.0
MTPH4-48F	48.0
MTPH4-49F	49.0
MTPH4-50F	50.0
MTPH4-51F	51.0
MTPH4-52F	52.0
MTPH4-53F	53.0
MTPH4-54F	54.0
MTPH4-55F	55.0
MTPH4-56F	56.0
MTPH4-57F	57.0
MTPH4-58F	58.0
MTPH4-59F	59.0
MTPH4-60F	60.0
MTPH4-61F	61.0
MTPH4-62F	62.0
MTPH4-63F	63.0
MTPH4-64F	64.0
MTPH4-65F	65.0

NOTE:MADE OF EQUIVALENT MATERIAL.  
可使用同等材質.



ISO 9001  
ISO 14001  
QC 080000  
IATF 16949

康揚企業股份有限公司  
KANG YANG HARDWARE ENTERPRISE CO., LTD.  
康揚塑膠(東莞)有限公司  
KANG YANG PLASTIC(DONG GUAN)CO.,LTD.  
康哲電腦配件(吳江)有限公司  
KANG CHE COMPUTER COMPONENTS(WUJIANG)CO.,LTD.

康揚塑膠五金(泰國)有限公司  
บริษัท หง หยาง ฮาร์ดแวร์ (ไทยแลนด์) จำกัด  
KANG YANG HARDWARE (THAILAND) CO., LTD.  
康揚越南有限公司  
CÔNG TY TNHH KANG YANG VIỆT NAM  
KANG YANG VIETNAM CO., LTD.

<b>PROPRIETARY AND CONFIDENTIAL</b> THE INFORMATION CONTAINED IN THIS DRAWING IS THE SOLE PROPERTY OF KANG YANG HARDWARE ENTERPRISE CO. ANY REPRODUCTION IN PART OR AS A WHOLE WITHOUT THE WRITTEN PERMISSION OF KANG YANG HARDWARE ENTERPRISE CO. IS PROHIBITED.  DO NOT SCALE DRAWING	<b>DATE</b> 2024.05.07	<b>TITLE</b> PLASTIC METAL INSERT STANDOFF	<b>DWG. NO.</b> MTPH4-HF	<b>PART NO.</b> SEE ABOVE	
	<b>DRAWN</b> C.S.L	<b>MATERIAL</b> NYLON 66(PA66) UL94V-2	<b>SIZE</b> A4	<b>SPEC. DWG.</b>	<b>REV</b> A
	<b>CHECKED</b> 李柏宵	<b>COLOR</b> NATURAL	<b>FINISH</b>	<b>SCALE: 2:1</b>	<b>UNIT</b> mm
	<b>APPROVED</b> 	<b>UNLESS OTHERWISE SPECIFIED TOLERANCE:</b> SEE ABOVE	<b>SHEET 1 OF 1</b>		