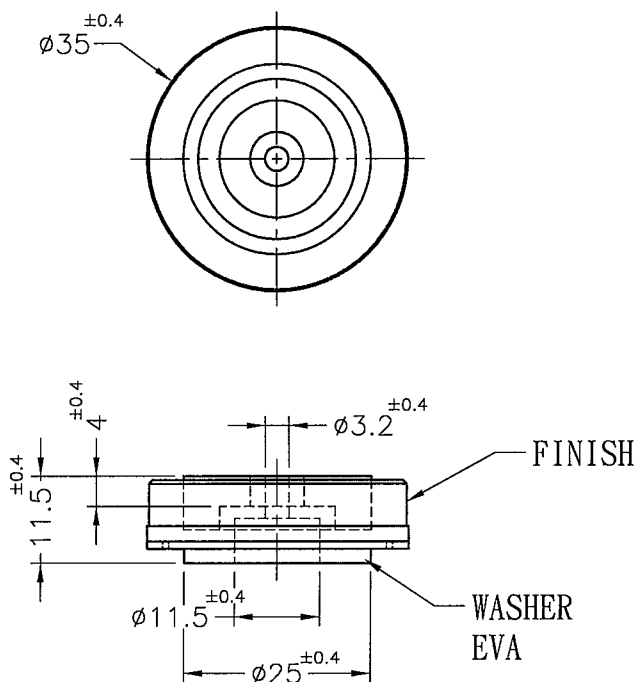


REVISIONS			
REV	DESCRIPTION	DATE	BY



PART NO.	FINISH
RA-35	GOLDEN ALUMINUM COVERING
RA-35(S)	SILVER ALUMINUM COVERING
RA-35(S)A	SILVER ALUMINUM COVERING(SAND BLAST)
RA-35BA(EVA)	BLACK ALUMINUM COVERING(SAND BLAST)

NOTE:MADE OF EQUIVALENT MATERIAL.
均可使用同等材質。

				TITLE PLASTIC FOOT		SPEC. DWG.	
				MATERIAL A ABS	MATERIAL B AL	DATE 1997.12.30	
				FINISH SEE ABOVE		DRAWN JASON	
				PLASTIC COLOR BLACK		CHECK 	
PART NUMBER SEE ABOVE		DRAWING NUMBER RA-35H		UNLESS OTHERWISE SPECIFIED TOLERANCE SEE ABOVE		APPROVED 	
SIZE A4	SCALE 1:1	UNIT mm	REV E				