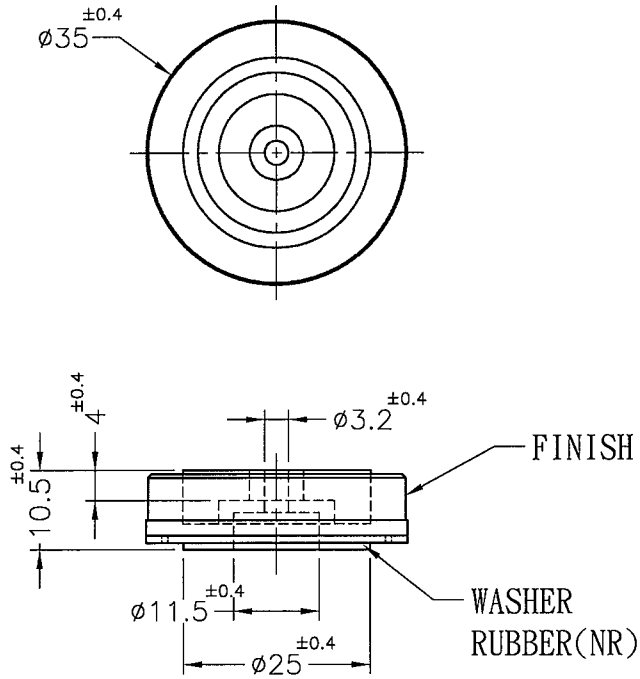


REVISIONS			
REV	DESCRIPTION	DATE	BY



PART NO.	FINISH
RA-35(S)RU	SILVER ALUMINUM COVERING
RA-35BARU	BLACK ALUMINUM COVERING
RA-35(RU)	GOLDEN ALUMINUM COVERING

NOTE:MADE OF EQUIVALENT MATERIAL.
均可使用同等材質.

				TITLE		SPEC. DWG.		
				PLASTIC FOOT		MATERIAL A	MATERIAL B	DATE
				ABS		AL		1997.12.30
				FINISH		SEE ABOVE		DRAWN
PART NUMBER		DRAWING NUMBER		CHECK		JASON		
SEE ABOVE		RA-35H		BLACK		李柏賓		
SIZE	SCALE	UNIT	REV	UNLESS OTHERWISE SPECIFIED TOLERANCE		APPROVED		
A4	1:1	mm	E	SEE ABOVE		Kang		