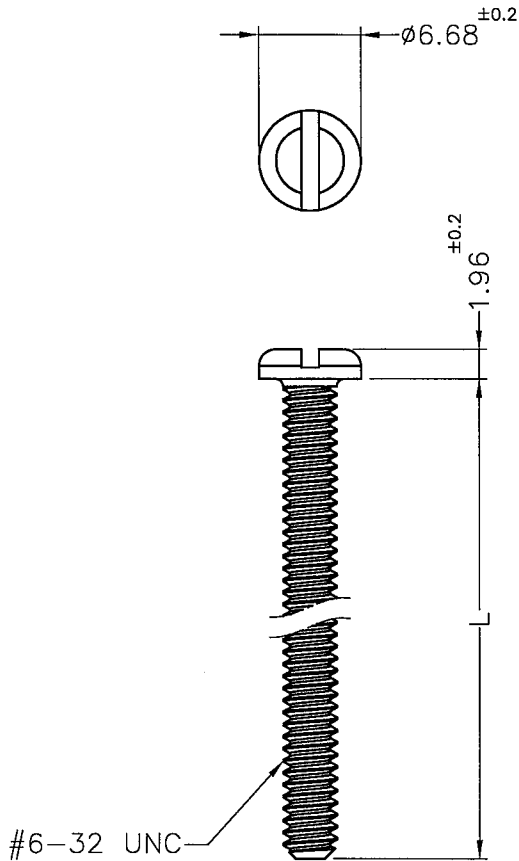


DIM.	TOL
L≤10	±0.2
10<L≤30	±0.3
30<L≤50	±0.5
50<L≤100	±0.7
100<L≤250	±1.2
ABOVE 250	±1.5



PART NO.	L
S632-4.8SN	4.75
S632-31.8SN	31.75
S632-50.8SN	50.80

NOTE:1. SHRINKING IS NORMAL STATUS.

內縮為正常現象。

2. MADE OF PLASTIC OR EQUIVALENT MATERIALS.

塑膠製品或同等材質。



康揚企業股份有限公司
KANG YANG HARDWARE ENTERPRISE CO., LTD.
康揚塑膠(東莞)有限公司
KANG YANG PLASTIC(DONG GUAN)CO.,LTD.
康哲電腦配件(吳江)有限公司
KANG CHE COMPUTER COMPONENTS(WUJIANG)CO.,LTD.

康揚塑膠五金(泰國)有限公司
บริษัท ตั้ง ทวยาง ฮาร์ดแวร์ (ไทยแลนด์) จำกัด
KANG YANG HARDWARE (THAILAND) CO., LTD.
康揚越南有限公司
CÔNG TY TNHH KANG YANG VIỆT NAM
KANG YANG VIETNAM CO., LTD.

PROPRIETARY AND CONFIDENTIAL THE INFORMATION CONTAINED IN THIS DRAWING IS THE SOLE PROPERTY OF KANG YANG HARDWARE ENTERPRISE CO. ANY REPRODUCTION IN PART OR AS A WHOLE WITHOUT THE WRITTEN PERMISSION OF KANG YANG HARDWARE ENTERPRISE CO. IS PROHIBITED. DO NOT SCALE DRAWING	DATE	2025.05.06	TITLE	PLASTIC SCREW	DWG. NO.	S632-HSN	PART NO.	SEE ABOVE
	DRAWN	FORSEN	MATERIAL	NYLON 66(PA66) UL94V-2	SIZE	A4	SPEC. DWG.	REV
	CHECKED	<i>[Signature]</i>	COLOR	NATURAL	FINISH			A
	APPROVED	<i>[Signature]</i>	UNLESS OTHERWISE SPECIFIED TOLERANCE:	SEE ABOVE	SCALE: 2:1	UNIT	mm	SHEET 1 OF 1