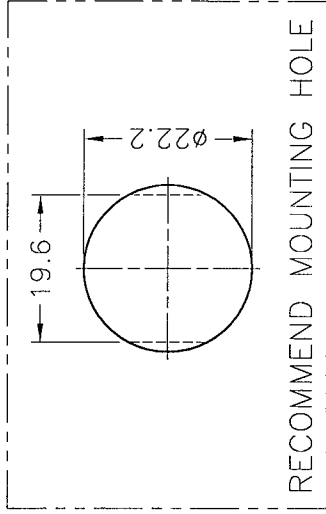
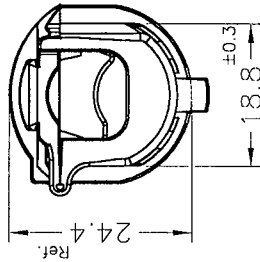
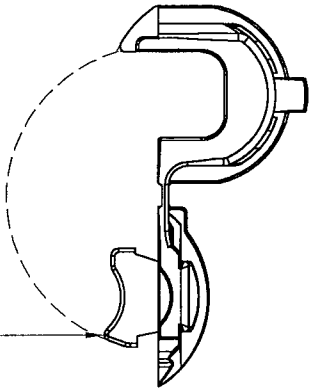
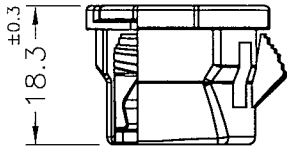


Locking Tab varies with Cable Sizes



RECOMMEND MOUNTING HOLE

PART NO.		SB201	
WILL FIT THESE CABLES	PANEL DIMENSIONS	COLOR	
AWG/ CONDUCTORS	APPROXIMATE SIZE	MOUNTING HOLE SIZE	THICKNESS
VARIOUS	7.4~9.8	22,2 w/19,6 flats	0.8
			1.6
			2.0
			2.5
			3.2
			4.0

PART NO.		SB201(W)	
WILL FIT THESE CABLES	PANEL DIMENSIONS	COLOR	
AWG/ CONDUCTORS	APPROXIMATE SIZE	MOUNTING HOLE SIZE	THICKNESS
VARIOUS	7.4~9.8	22,2 w/19,6 flats	0.8
			1.6
			2.0
			2.5
			3.2
			4.0

NOTE: 1. MADE OF EQUIVALENT MATERIAL.

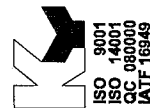
均可使用同等材質。

2. SLIGHT DEFORMED IS NORMAL STATUS.

輕微變形為正常現象。

3. THE COLOR BATCH TEST REPORT IS ONLY FOR TEST PURPOSE.

色母環保檢測報告, 僅提供原始測試報告。



康揚企業股份有限公司
KANG YANG HARDWARE ENTERPRISE CO., LTD.
康揚塑膠(東莞)有限公司
KANG YANG PLASTIC(DONG GUAN)CO.,LTD.
康哲電腦配件(吳江)有限公司
KANG CHE COMPUTER COMPONENT(SHUIJIANG)CO.,LTD.

康揚塑膠五金(泰國)有限公司
KANG YANG HARDWARE (THAILAND) CO., LTD.
康揚越南有限公司
CÔNG TY TNHH KANG YANG VIỆT NAM
KANG YANG VIETNAM CO., LTD.

DATE 2024.10.01

DRAWN *M.W.*

CHECKED *Kenny*

APPROVED *Kenny*

TIME STARRAIN RELIEF BUSHING

MATERIAL NYLON66 UL94V-2

COLOR FINISH SEE ABOVE

UNLESS OTHERWISE SPECIFIED TOLERANCE SEE ABOVE

DWG. NO. SB201

SIZE A4

SPEC. DWG

UNIT mm

SCALE: 1:1

PART NO. SEE ABOVE

REV A

SHEET 1 OF 1

PROPRIETARY AND CONFIDENTIAL: THE INFORMATION CONTAINED IN THIS DRAWING IS THE SOLE PROPERTY OF KANG YANG HARDWARE ENTERPRISE CO. ANY REPRODUCTION IN PART OR AS A WHOLE WITHOUT THE WRITTEN PERMISSION OF KANG YANG HARDWARE ENTERPRISE IS PROHIBITED.