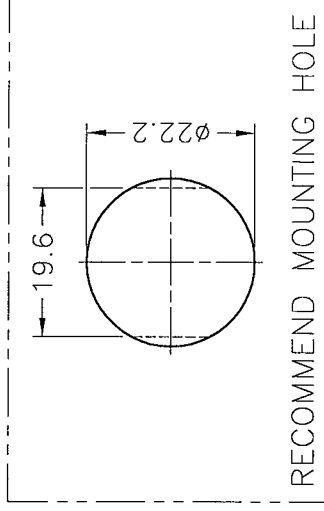
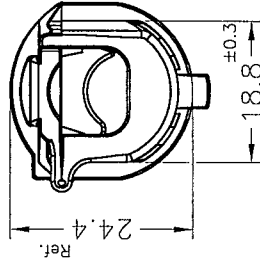
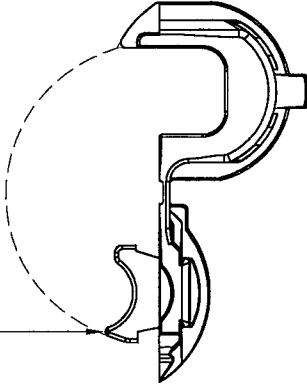
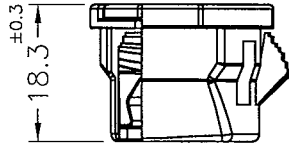


Locking Tab varies with Cable Sizes



RECOMMEND MOUNTING HOLE

PART NO.	WILL FIT THESE CABLES AWG/ CONDUCTORS APPROXIMATE SIZE	PANEL DIMENSIONS MOUNTING HOLE SIZE	COLOR
SB301	VARIOUS	22,2 w/19,6 flats	0.8
			1.6
			2.0
			2.5
			3.2
			4.0

PART NO.	WILL FIT THESE CABLES AWG/ CONDUCTORS APPROXIMATE SIZE	PANEL DIMENSIONS MOUNTING HOLE SIZE	THICKNESS	COLOR
			1.6	
			2.0	
			2.5	
			3.2	
			3.4	
			4.0	

NOTE: 1. MADE OF EQUIVALENT MATERIAL.

均可使用同等材質。

2. SLIGHT DEFORMED IS NORMAL STATUS.

輕微變形為正常現象。

3. THE COLOR BATCH TEST REPORT IS ONLY FOR TEST PURPOSE.

色母環保檢測報告, 僅提供原始測試報告。

<p>康揚企業股份有限公司 KANG YANG HARDWARE ENTERPRISE CO., LTD. 康揚塑膠(東莞)有限公司 KANG YANG PLASTIC(DONG GUAN)CO., LTD. 康哲電腦配件(吳江)有限公司 KANG CHE COMPUTER COMPONENTS(WUJIANG)CO., LTD.</p> <p>ISO 9001 ISO 14001 QC 080000 IATF 16949</p>	<p>康揚塑膠五金(泰國)有限公司 KANG YANG HARDWARE (THAILAND) CO., LTD. 康揚越南有限公司 CÔNG TY TNHH KANG YANG VIỆT NAM KANG YANG VIETNAM CO., LTD.</p>	<p>DATE: 2024.10.01</p> <p>DRAWN: <i>Ken</i></p> <p>CHECKED: <i>Ken</i></p> <p>APPROVER: <i>Ken</i></p>	<p>TITLE: STARRAIN RELIEF BUSHING</p> <p>MATERIAL: NYLON66 UL94V-2</p> <p>COLOR: SEE ABOVE</p> <p>FINISH: SEE ABOVE</p> <p>UNLESS OTHERWISE SPECIFIED TOLERANCE: SEE ABOVE</p>	<p>DWG. NO.: SB301</p> <p>SIZE: A4</p> <p>SCALE: 1:1</p>	<p>PART NO.: SEE ABOVE</p> <p>SPEC. DWG: REV A</p> <p>UNIT: mm</p> <p>SHEET 1 OF 1</p>
	<p>PROPRIETARY AND CONFIDENTIAL: THE INFORMATION CONTAINED IN THIS DRAWING IS THE SOLE PROPERTY OF KANG YANG HARDWARE ENTERPRISE CO. ANY REPRODUCTION IN PART OR AS A WHOLE WITHOUT THE WRITTEN PERMISSION OF KANG YANG HARDWARE ENTERPRISE IS PROHIBITED.</p> <p>DO NOT SCALE DRAWING</p>				