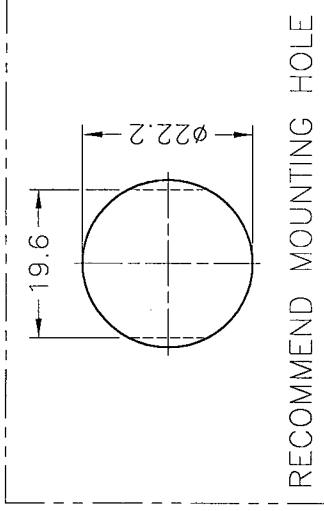
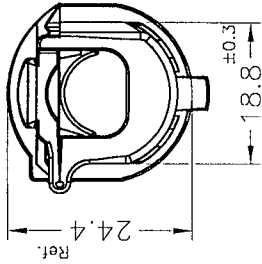
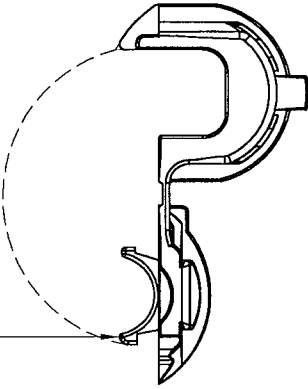
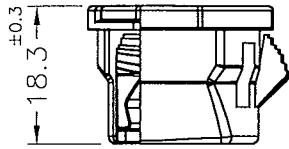


Locking Tab varies with Cable Sizes



PART NO.		SB401	
WILL FIT THESE CABLES		PANEL DIMENSIONS	
AWG/ CONDUCTORS	APPROXIMATE SIZE	MOUNTING HOLE SIZE	THICKNESS
VARIOUS	10.7~11.4	22.2 w/19,6 flats	0.8
			1.6
			2.0
			2.5
			3.2
			3.4
4.0			

PART NO.		SB401(W)	
WILL FIT THESE CABLES		PANEL DIMENSIONS	
AWG/ CONDUCTORS	APPROXIMATE SIZE	MOUNTING HOLE SIZE	THICKNESS
VARIOUS	10.7~11.4	22.2 w/19,6 flats	0.8
			1.6
			2.0
			2.5
			3.2
			3.4
4.0			

NOTE: 1. MADE OF EQUIVALENT MATERIAL.


均可使用同等材質。

2. SLIGHT DEFORMED IS NORMAL STATUS.

輕微變形為正常現象。

3. THE COLOR BATCH TEST REPORT IS ONLY FOR TEST PURPOSE.

色母環保檢測報告, 僅提供原始測試報告。


康揚企業股份有限公司
 KANG YANG HARDWARE ENTERPRISE CO., LTD.
 康揚塑膠(東莞)有限公司
 KANG YANG PLASTIC(DONG GUAN)CO.,LTD.
 康哲電腦配件(吳江)有限公司
 KANG CHE COMPUTER COMPONENTS(WUJIANG)CO.,LTD.

康揚塑膠五金(泰國)有限公司
 KANG YANG HARDWARE (THAILAND) CO., LTD.
康揚越南有限公司
 CÔNG TY TNHH KANG YANG VIỆT NAM
 KANG YANG VIETNAM CO., LTD.

DATE 2024.10.01
DRAWN *KY*
CHECKED *Kenny*
APPROVED *Kang*

TITLE STARAIN RELIEF BUSHING
MATERIAL NYLON66 UL94V-2
COLOR SEE ABOVE
FINISH UNLESS OTHERWISE SPECIFIED
TOLERANCE SEE ABOVE

DWG. NO. SB401
PART NO. SEE ABOVE
SIZE A4
SPEC. DWG
SCALE: 1:1
UNIT mm
REV A
SHEET 1 OF 1

PROPRIETARY AND CONFIDENTIAL: THE INFORMATION CONTAINED IN THIS DRAWING IS THE SOLE PROPERTY OF KANG YANG HARDWARE ENTERPRISE CO. ANY REPRODUCTION IN PART OR AS A WHOLE WITHOUT THE WRITTEN PERMISSION OF KANG YANG HARDWARE ENTERPRISE IS PROHIBITED.