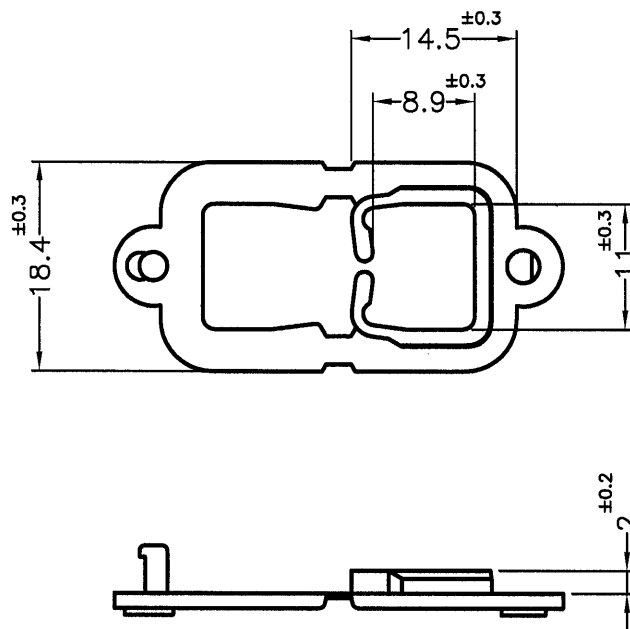
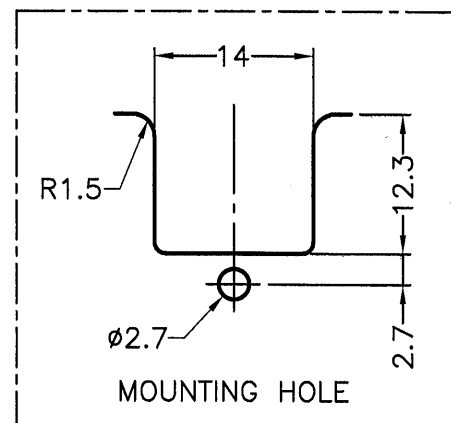


REVISIONS			
REV	DESCRIPTION	DATE	BY



PART NO.	MATERIAL	COLOR
SQB-1	NYLON 66 UL94V-2	BLACK
SQB-1(N)		NATURAL
SQB-1V0	NYLON 66 UL94V-0	BLACK

NOTE:1. SHRINKING IS NORMAL STATUS.
 內縮為正常現象。
 2. MADE OF EQUIVALENT MATERIAL.
 均可使用同等材質。



<p>康揚企業股份有限公司 KANG YANG HARDWARE ENTERPRISE CO., LTD. 康揚塑膠(東莞)有限公司 KANG YANG PLASTIC(DONG GUAN) CO., LTD. 康哲電腦配件(吳江)有限公司 KANG CHE COMPUTER COMPONENTS(WUJIANG) CO., LTD.</p>				TITLE	SQUARE SNAP BUSHING	SPEC. DWG.	
				MATERIAL	NYLON 66 UL94V-2	DATE	2001.01.19
				FINISH		DRAWN	JASON
				COLOR	SEE ABOVE	CHECK	薛梅
PART NUMBER	SSEE ABOVE	DRAWING NUMBER	SQB-1	UNLESS OTHERWISE SPECIFIED TOLERANCE	SEE ABOVE	APPROVED	Kang
SIZE	A4	SCALE	3:2	UNIT	mm	REV	A