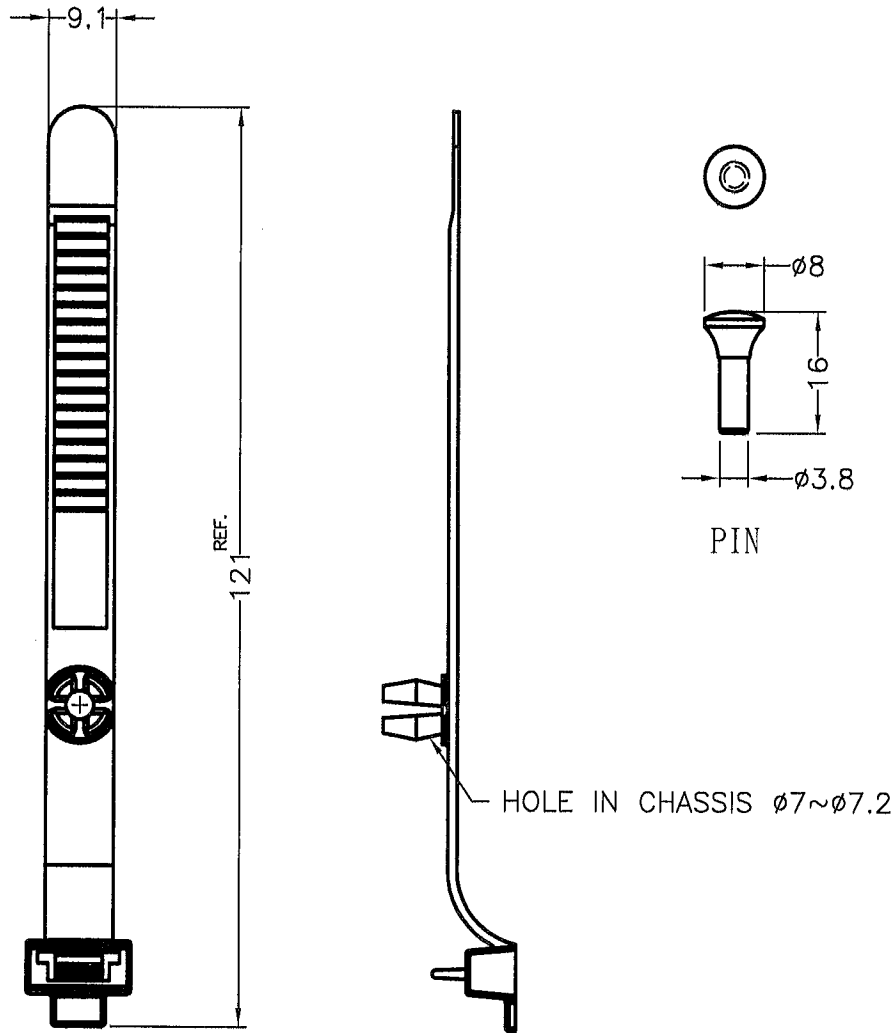

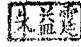


DIM.	TOL
5mm DOWN	±0.2
5~20mm	±0.3
20~40mm	±0.4
40~60mm	±0.5
60~100mm	±0.8
100mm UP	±1.0

REVISIONS			
REV	DESCRIPTION	DATE	BY



NOTE: All measurement does not include gate which raises under 0.3mm.

 <p>康揚企業股份有限公司 KANG YANG HARDWARE ENTERPRISE CO., LTD. 康揚塑膠(東莞)有限公司 KANG YANG PLASTIC(DONG GUAN) CO., LTD. ISO 9001 ISO 14001 QC 080000 康哲電腦配件(吳江)有限公司 KANG CHE COMPUTER COMPONENTS(WUJIANG) CO., LTD.</p>	TITLE CABLE TIES		SPEC. DWG.	
	MATERIAL NYLON 66 UL94V-2		DATE 2013.02.22	
	HARDNESS		DRAWN Lyu	
PART NUMBER STC-121(B)		DRAWING NUMBER STC-121		COLOR BLACK
SIZE A4	SCALE 1:1	UNIT mm	REV A	CHECK 
UNLESS OTHERWISE SPECIFIED TOLERANCE SEE ABOVE				APPROVED 