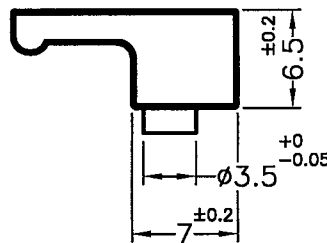
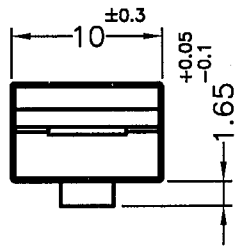
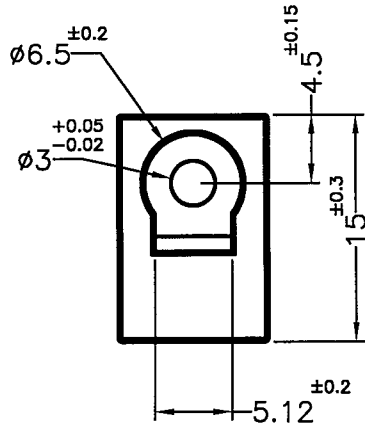


WITH HALOGEN
有鹵料件



NOTE:1. SHRINKING IS NORMAL STATUS.
內縮為正常現象。
2. MADE OF EQUIVALENT MATERIAL.
均可使用同等材質。



康揚企業股份有限公司
KANG YANG HARDWARE ENTERPRISE CO., LTD.
康揚塑膠(東莞)有限公司
KANG YANG PLASTIC(DONG GUAN)CO.,LTD.
康哲電腦配件(吳江)有限公司
KANG CHE COMPUTER COMPONENTS(WUJIANG)CO.,LTD.

PROPRIETARY AND CONFIDENTIAL THE INFORMATION CONTAINED IN THIS DRAWING IS THE SOLE PROPERTY OF KANG YANG HARDWARE ENTERPRISE CO. ANY REPRODUCTION IN PART OR AS A WHOLE WITHOUT THE WRITTEN PERMISSION OF KANG YANG HARDWARE ENTERPRISE CO. IS PROHIBITED.	DATE	2023.09.21	TITLE	TRANSISTOR COVER	DWG. NO.	TC-78	PART NO.	TC-78
	DRAWN	L.K.J.	MATERIAL	P.B.T UL94V-0	SIZE	A4	SPEC. DWG.	REV
	CHECKED	Yuping	COLOR	NATURAL (WHITE)				A
	APPROVED	Kang	UNLESS OTHERWISE SPECIFIED TOLERANCE:	SEE ABOVE	SCALE:	2:1	UNIT	mm

DO NOT SCALE DRAWING