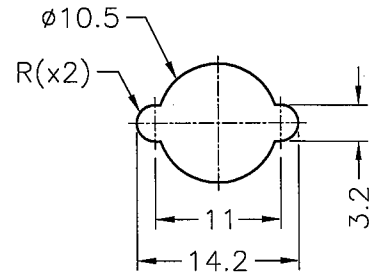
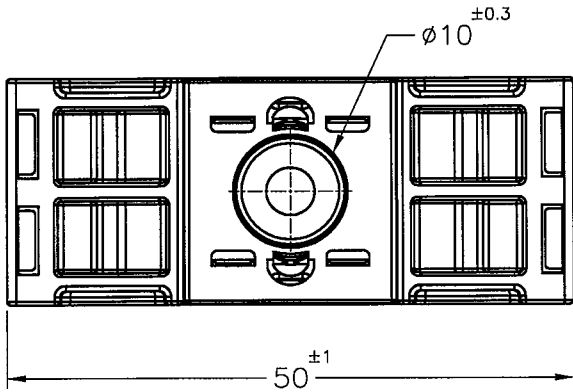
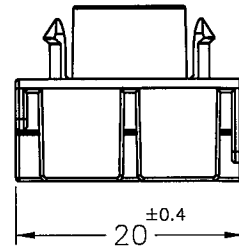
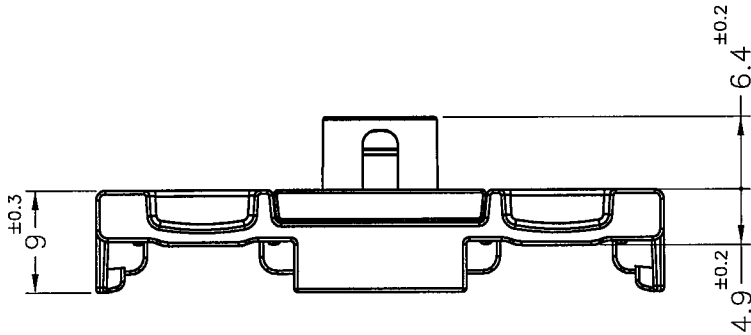


Patented Under Process  
專利申請中



RECOMMEND MOUNTING HOLE



NOTE: 1. MADE OF EQUIVALENT MATERIAL.

均可使用同等材質。

2. SLIGHT DEFORMED IS NORMAL STATUS.

輕微變形為正常現象。

3. THE COLOR BATCH TEST REPORT IS ONLY FOR FIRST LOT TEST.

色母環保檢測報告, 僅提供原始測試報告。



康揚企業股份有限公司  
KANG YANG HARDWARE ENTERPRISE CO., LTD.  
康揚塑膠(東莞)有限公司  
KANG YANG PLASTIC(DONG GUAN)CO.,LTD.  
康哲電腦配件(吳江)有限公司  
KANG CHE COMPUTER COMPONENTS(WUJIANG)CO.,LTD.

<b>PROPRIETARY AND CONFIDENTIAL</b> THE INFORMATION CONTAINED IN THIS DRAWING IS THE SOLE PROPERTY OF KANG YANG HARDWARE ENTERPRISE CO. ANY REPRODUCTION IN PART OR AS A WHOLE WITHOUT THE WRITTEN PERMISSION OF KANG YANG HARDWARE ENTERPRISE CO. IS PROHIBITED.  DO NOT SCALE DRAWING	DATE	2023.01.19	TITLE		POWER TRANSISTOR CLAMP DEPRESSOR		DWG. NO.	PART NO.		
	DRAWN	K.W	PLASTIC MATERIAL / COLOR		PBT UL94V-0+GF / BLACK		TCSF-2VBF		TCSF-2VBF	
	CHECKED	<i>Kenny</i>	METAL PIECE MATERIAL	METAL PIECE FINISH		STEEL	ZINE PLATED		SIZE	A4
	APPROVED	<i>Kang</i>	UNLESS OTHERWISE SPECIFIED TOLERANCE		SEE ABOVE		SCALE: 3:2	UNIT	mm	REV
										SHEET 1 OF 1