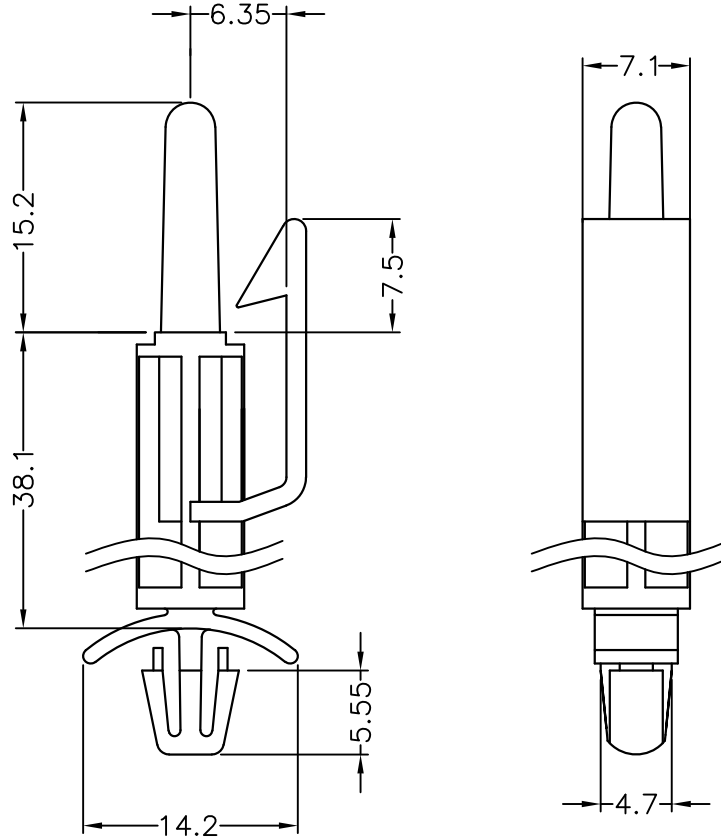


DIM.	TOL
5mm DOWN	±0.2
5~20mm	±0.3
20~40mm	±0.4
40~60mm	±0.5
60~100mm	±0.8
100mm UP	±1.0

REVISIONS			
REV	DESCRIPTION	DATE	BY

P.C.B HOLE  $\phi 4.0$   
THICKNESS 1.6mm



P.C.B HOLE  $\phi 4.8$   
THICKNESS 1.6mm


**康揚企業股份有限公司**  
 KANG YANG HARDWARE ENTERPRISE CO., LTD.  
**康揚塑膠(東莞)有限公司**  
 KANG YANG PLASTIC(DONG GUAN) CO.,LTD.  
**康哲電腦配件(吳江)有限公司**  
 KANG CHE COMPUTER COMPONENTS(WUJIANG) CO.,LTD.

TITLE		SPACER SUPPORT		SPEC. DWG.	
MATERIAL		NYLON 66 UL94V-2		DATE	
FINISH				DRAWN	
COLOR		NATURAL		SAI	
UNLESS OTHERWISE SPECIFIED TOLERANCE		SEE ABOVE		CHECK	
APPROVED					

PART NUMBER		DRAWING NUMBER	
ULCB-38		ULCB-38	
SIZE	SCALE	UNIT	REV
A4	2:1	mm	A