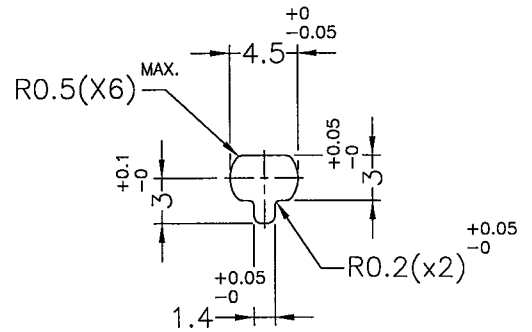
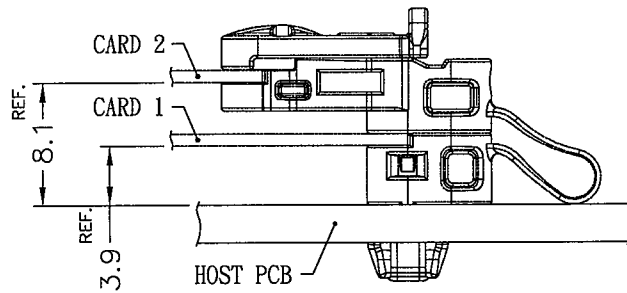
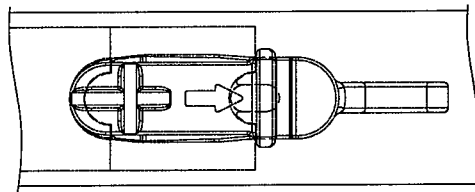
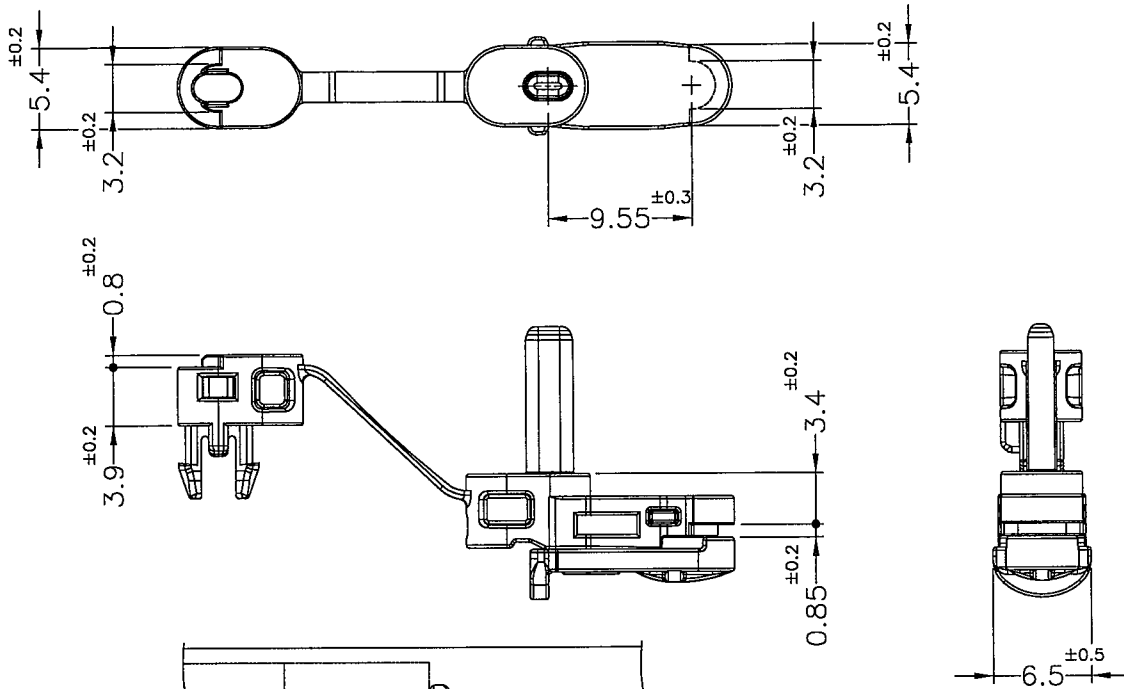


Patented Product

專利產品



RECOMMEND MOUNTING HOLE
RECOMMEND THICKNESS: 2.36mm^{±0.1}

Assembly Diagram

PART NO.	ULCOF-19LV0F		
COMPONENT NAME	MAERIAL	COLOR	FINISH
LATCH - BASE	NYLON 66 UL94V-0	BLACK	
LATCH - HANDLE	NYLON 66 UL94V-0+GF	BLUE	
LATCH - SPRING	SWP		NI PLATED

NOTE: 1. MADE OF EQUIVALENT MATERIAL.

均可使用同等材質。

2. SLIGHT DEFORMED IS NORMAL STATUS.

輕微變形為正常現象。

3. THE COLOR BATCH TEST REPORT IS ONLY FOR FIRST LOT TEST.

色母環保檢測報告, 僅提供原始測試報告。



康揚企業股份有限公司
KANG YANG HARDWARE ENTERPRISE CO., LTD.
康揚塑膠(東莞)有限公司
KANG YANG PLASTIC(DONG GUAN)CO.,LTD.
康哲電腦配件(吳江)有限公司
KANG CHE COMPUTER COMPONENTS(WUJIANG)CO.,LTD.

PROPRIETARY AND CONFIDENTIAL THE INFORMATION CONTAINED IN THIS DRAWING IS THE SOLE PROPERTY OF KANG YANG HARDWARE ENTERPRISE CO., ANY REPRODUCTION IN PART OR AS A WHOLE WITHOUT THE WRITTEN PERMISSION OF KANG YANG HARDWARE ENTERPRISE CO. IS PROHIBITED. DO NOT SCALE DRAWING	DATE	2024.01.23	TITLE	LATCH SPACER SUPPORT	DWG. NO.	ULCOF-19LV0	PART NO.	ULCOF-19LV0F
	DRAWN	FORSEN	MATERIAL	SEE ABOVE	SIZE	A4	SPEC. DWG.	REV
	CHECKED	Yuping	COLOR	SEE ABOVE	FINISH	SEE ABOVE		A
	APPROVED		TOLERANCE	UNLESS OTHERWISE SPECIFIED SEE ABOVE	SCALE:	2:1	UNIT	mm