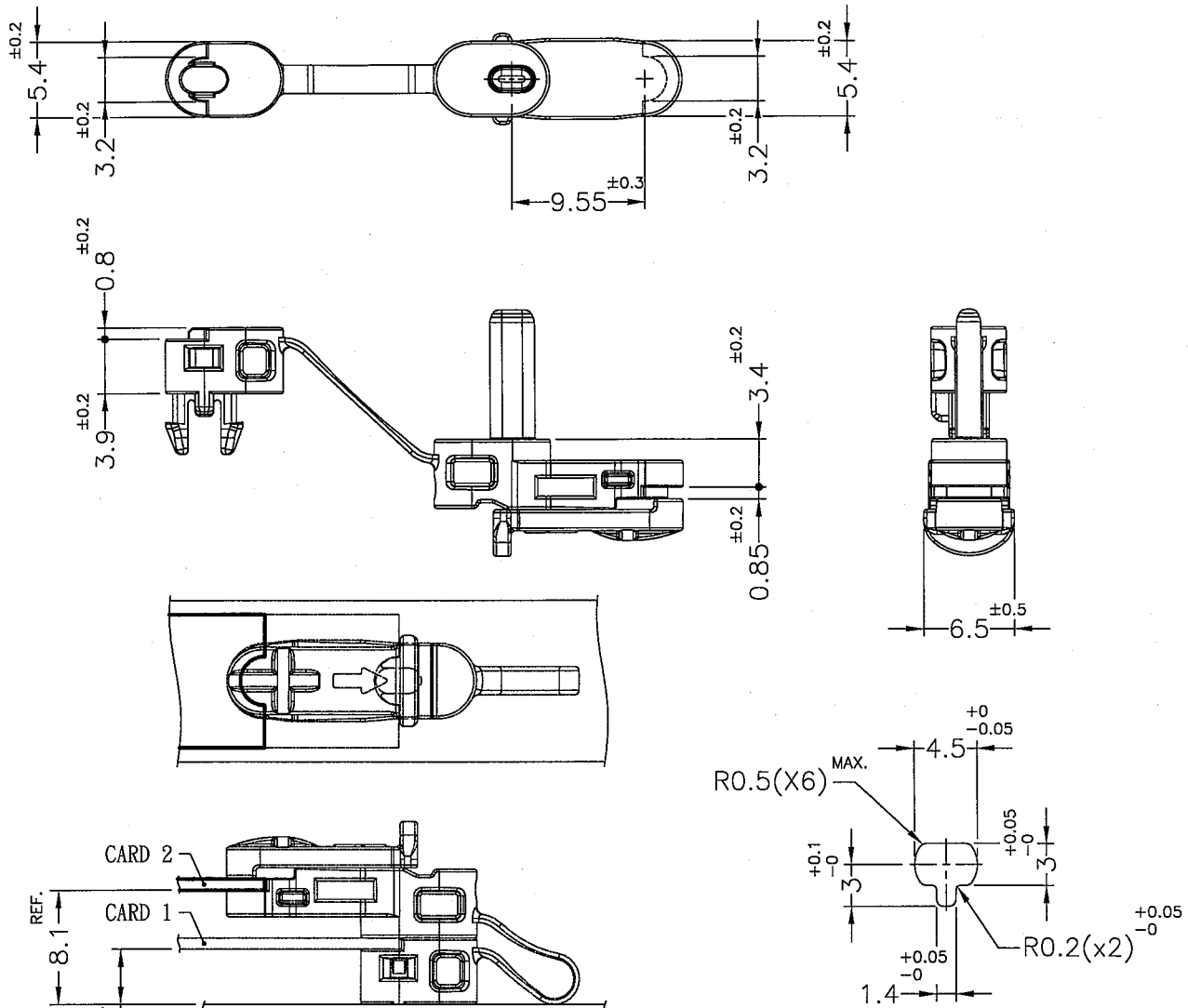


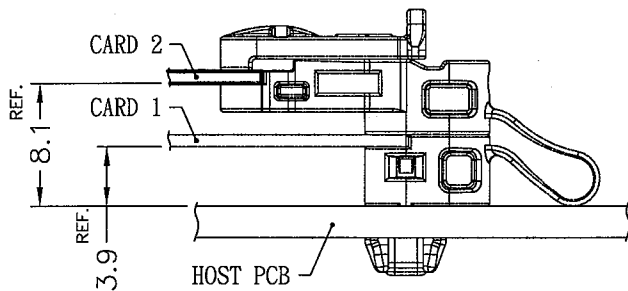
Patented Product

專利產品



RECOMMEND MOUNTING HOLE  
RECOMMEND THICKNESS: 1.93mm<sup>±0.1</sup>

Assembly Diagram



PART NO.	ULCOF-19MV0F		
COMPONENT NAME	MAERIAL	COLOR	FINISH
LATCH - BASE	NYLON 66 UL94V-0	BLACK	
LATCH - HANDLE	NYLON 66 UL94V-0+GF	BLUE	
LATCH - SPRING	SWP		NI PLATED

NOTE: 1. MADE OF EQUIVALENT MATERIAL.

均可使用同等材質。

2. SLIGHT DEFORMED IS NORMAL STATUS.

輕微變形為正常現象。

3. THE COLOR BATCH TEST REPORT IS ONLY FOR FIRST LOT TEST.

色母環保檢測報告, 僅提供原始測試報告。



康揚企業股份有限公司  
KANG YANG HARDWARE ENTERPRISE CO., LTD.  
康揚塑膠(東莞)有限公司  
KANG YANG PLASTIC(DONG GUAN)CO.,LTD.  
康哲電腦配件(吳江)有限公司  
KANG CHE COMPUTER COMPONENTS(WUJIANG)CO.,LTD.

PROPRIETARY AND CONFIDENTIAL  
THE INFORMATION CONTAINED IN THIS DRAWING IS THE SOLE PROPERTY OF KANG YANG HARDWARE ENTERPRISE CO. ANY REPRODUCTION IN PART OR AS A WHOLE WITHOUT THE WRITTEN PERMISSION OF KANG YANG HARDWARE ENTERPRISE CO. IS PROHIBITED.

DATE  
2024.04.09

DRAWN  
FORSEN

CHECKED  
Yuping

APPROVED  
Keng

TITLE  
LATCH SPACER SUPPORT

MATERIAL  
SEE ABOVE

COLOR  
SEE ABOVE

FINISH  
SEE ABOVE

DWG. NO.  
ULCOF-19MV0

SIZE  
A4

SCALE: 2:1

PART NO.  
ULCOF-19MV0F

SPEC. DWG.

UNIT mm

REV  
A

SHEET 1 OF 1

DO NOT SCALE DRAWING