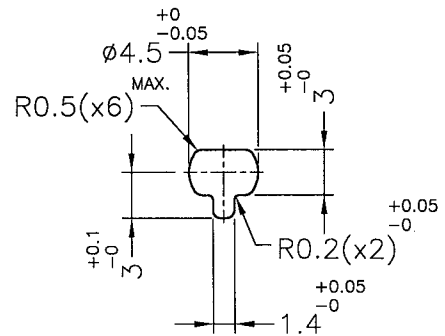
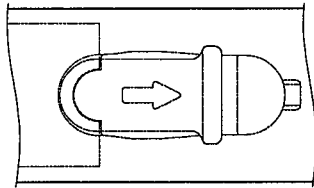
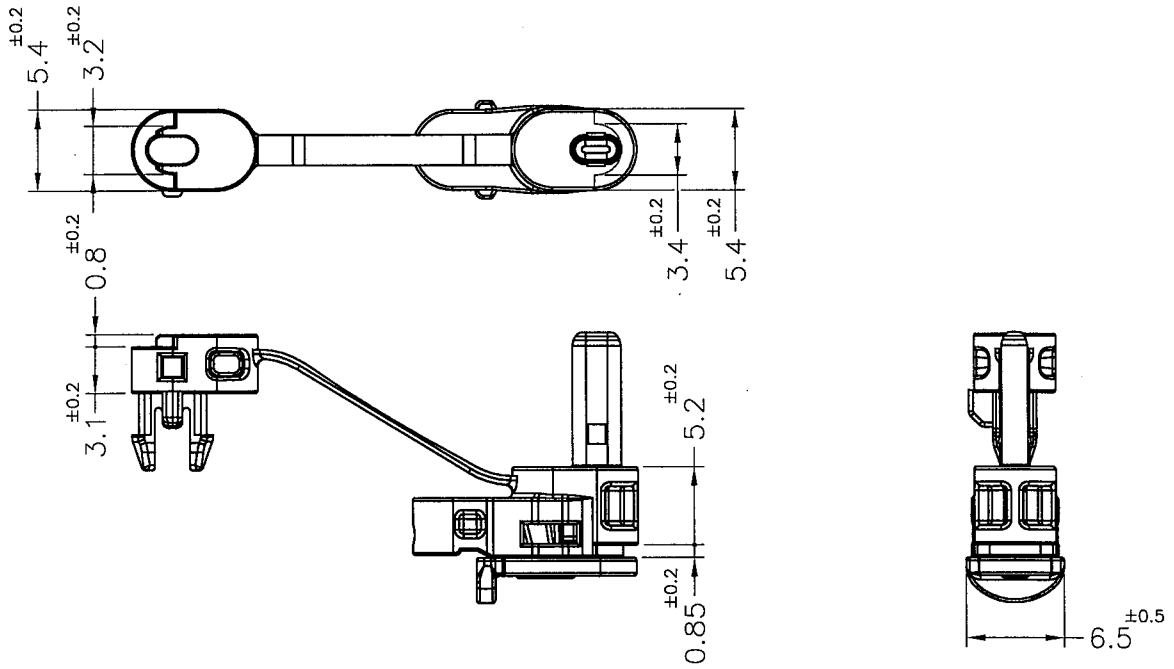
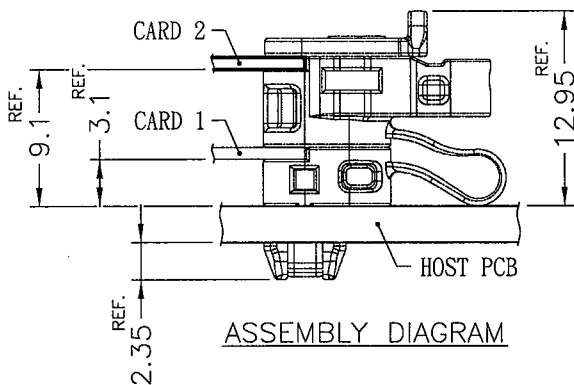


Patented Product
專利產品

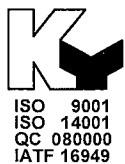


MOUNTING HOLE
THICKNESS: 2.6mm^{±0.1}
(RECOMMEND FOR REFERENCE ONLY)



PART NAME	MATERIAL	COLOR
BASE	N66(PA66) UL94V-0	BLACK
HANDLE	N66(PA66) UL94V-0+GF	BLUE
SPRING	SWP / NICKLE PLATED	

- NOTE: 1. THE COLOR BATCH TEST REPORT IS ONLY FOR FIRST LOT TEST.
色母環保檢測報告, 僅提供原始測試報告。
2. SHRINKING IS NORMAL STATUS.
內縮為正常現象。
3. MADE OF PLASTIC OR EQUIVALENT MATERIALS.
塑膠製品或同等材質。



康揚企業股份有限公司
KANG YANG HARDWARE ENTERPRISE CO., LTD.
康揚塑膠(東莞)有限公司
KANG YANG PLASTIC(DONG GUAN)CO.,LTD.
康哲電腦配件(吳江)有限公司
KANG CHE COMPUTER COMPONENTS(WUJIANG)CO.,LTD.

康揚塑膠五金(泰國)有限公司
บริษัท กังหยาง ฮาร์ดแวร์ (ไทยแลนด์) จำกัด
KANG YANG HARDWARE (THAILAND) CO., LTD.
康揚越南有限公司
CÔNG TY TNHH KANG YANG VIỆT NAM
KANG YANG VIETNAM CO., LTD.

PROPRIETARY AND CONFIDENTIAL THE INFORMATION CONTAINED IN THIS DRAWING IS THE SOLE PROPERTY OF KANG YANG HARDWARE ENTERPRISE CO. ANY REPRODUCTION IN PART OR AS A WHOLE WITHOUT THE WRITTEN PERMISSION OF KANG YANG HARDWARE ENTERPRISE CO. IS PROHIBITED. DO NOT SCALE DRAWING	DATE	2023.09.08	TITLE	M.2 SPACER	DWG. NO.	ULCOF-23	PART NO.	ULCOF-23V0F	
	DRAWN	K.W	MATERIAL	SEE ABOVE	SIZE	A4	SPEC. DWG.	REV	A
	CHECKED	[Signature]	COLOR	SEE ABOVE	FINISH				
	APPROVED	[Signature]	UNLESS OTHERWISE SPECIFIED TOLERANCE:	SEE ABOVE	SCALE:	2:1	UNIT	mm	SHEET 1 OF 1