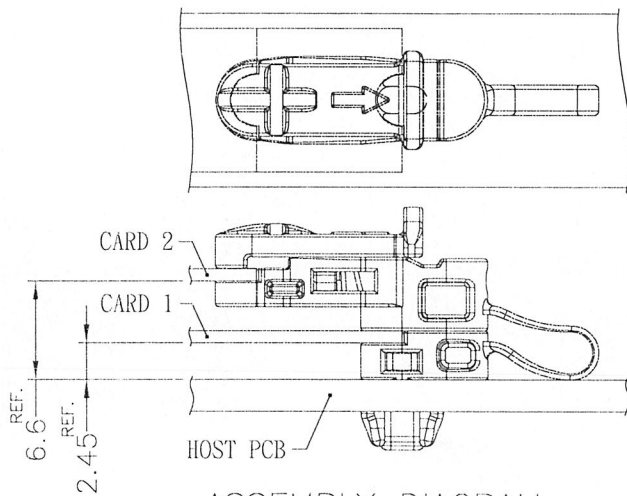
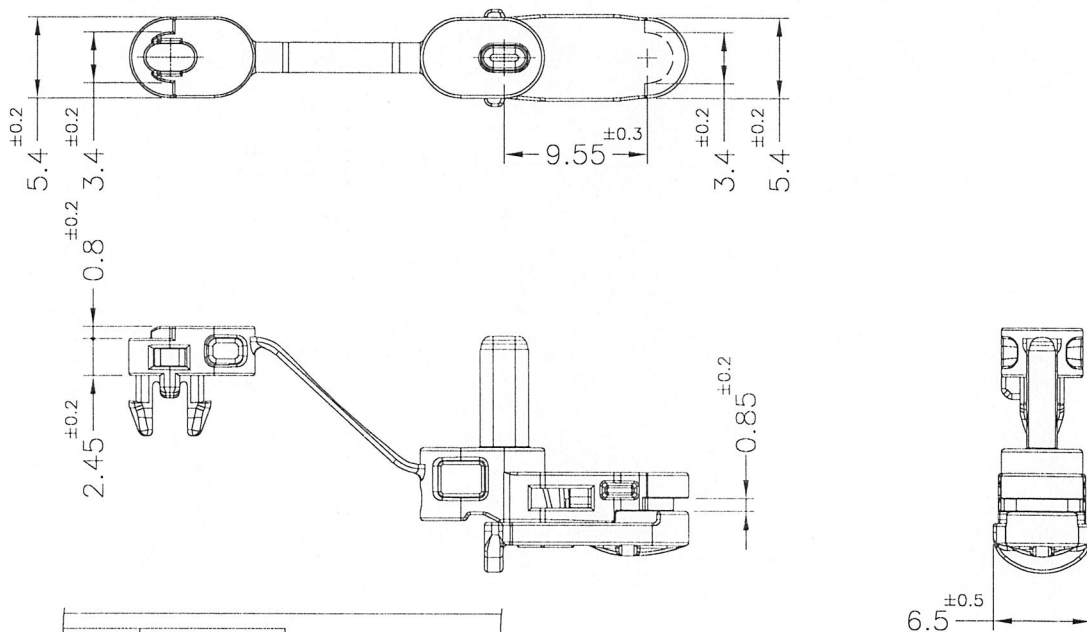
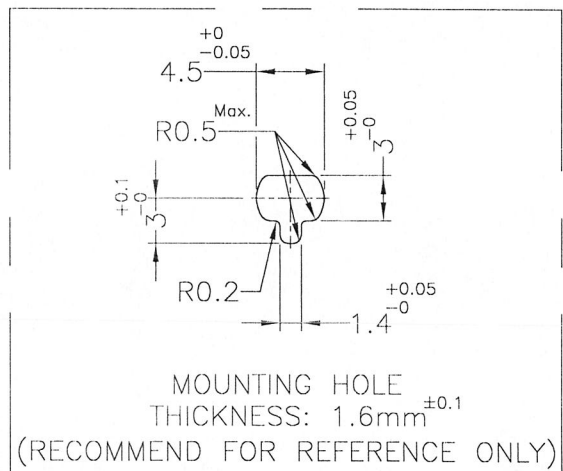


Patented Product

專利產品



ASSEMBLY DIAGRAM



PART NO. ULCOF-9SV0F			
COMPONENT NAME	MATERIAL	COLOR	FINISH
LATCH - BASE	NYLON 66(PA66) UL94V-0	BLACK	
LATCH - HANDLE	NYLON 66(PA66) UL94V-0+GF	BLUE	
LATCH - SPRING	SWP		NICKLE PLATED

NOTE:1. SHRINKING IS NORMAL STATUS.

內縮為正常現象。

2. MADE OF PLASTIC OR EQUIVALENT MATERIALS.

塑膠製品或同等材質。

3. THE COLOR BATCH TEST REPORT IS ONLY FOR FIRST LOT TEST.

色母環保檢測報告, 僅提供原始測試報告。



ISO 9001
ISO 14001
QC 080000
IATF 16949

康揚企業股份有限公司
KANG YANG HARDWARE ENTERPRISE CO., LTD.

康揚塑膠(東莞)有限公司
KANG YANG PLASTIC(DONG GUAN)CO.,LTD.

康哲電腦配件(吳江)有限公司
KANG CHE COMPUTER COMPONENTS(WUJIANG)CO.,LTD.

康揚塑膠五金(泰國)有限公司

บริษัท ตั้ง พยาง ฮาร์ดแวร์ (ไทยแลนด์) จำกัด
KANG YANG HARDWARE (THAILAND) CO., LTD.

康揚越南有限公司

CÔNG TY TNHH KANG YANG VIỆT NAM
KANG YANG VIETNAM CO., LTD.

PROPRIETARY AND CONFIDENTIAL THE INFORMATION CONTAINED IN THIS DRAWING IS THE SOLE PROPERTY OF KANG YANG HARDWARE ENTERPRISE CO. ANY REPRODUCTION IN PART OR AS A WHOLE WITHOUT THE WRITTEN PERMISSION OF KANG YANG HARDWARE ENTERPRISE CO. IS PROHIBITED. DO NOT SCALE DRAWING	DATE	2020.09.25	TITLE	M.2 SPACER	DWG. NO.	ULCOF-9S	PART NO.	ULCOF-9SV0F	
	DRAWN	Howl	MATERIAL	SEE ABOVE	SIZE	A4	SPEC. DWG	REV	B
	CHECKED	[Signature]	COLOR	SEE ABOVE	FINISH				
	APPROVED	[Signature]	UNLESS OTHERWISE SPECIFIED TOLERANCE:	SEE ABOVE	SCALE:	2:1	UNIT	mm	SHEET 1 OF 1