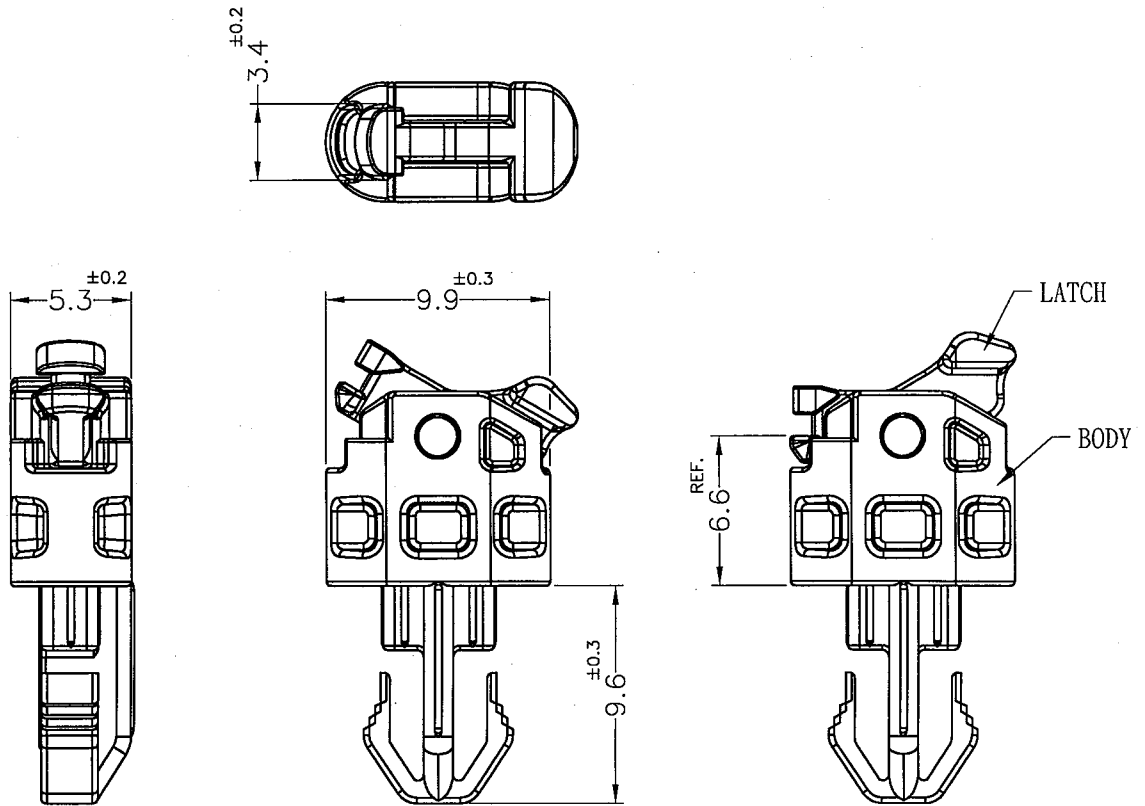
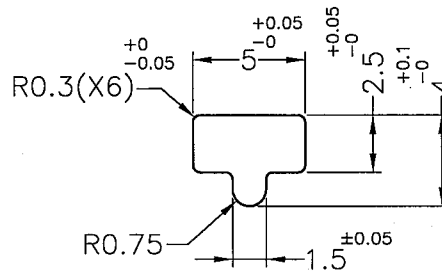
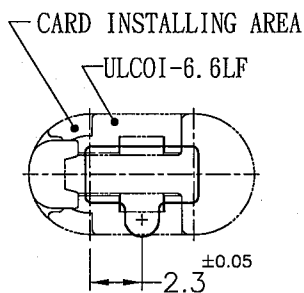


Patented Product

專利產品



CLOSE



MOUNTING HOLE THICKNESS: 5.5mm (RECOMMEND FOR REFERENCE ONLY)

- NOTE: 1. THE COLOR BATCH TEST REPORT IS ONLY FOR FIRST LOT TEST.
 色母環保檢測報告, 僅提供原始測試報告。
 2. SLIGHT DEFORMED IS NORMAL STATUS.
 輕微變形為正常現象。
 3. MADE OF EQUIVALENT MATERIAL.
 可使用同等材質。



康揚企業股份有限公司
 KANG YANG HARDWARE ENTERPRISE CO., LTD.
 康揚塑膠(東莞)有限公司
 KANG YANG PLASTIC(DONG GUAN)CO.,LTD.
 康哲電腦配件(吳江)有限公司
 KANG CHE COMPUTER COMPONENTS(WUJIANG)CO.,LTD.

康揚塑膠五金(泰國)有限公司
 บริษัท คัง หยาง ฮาร์ดแวร์ (ไทยแลนด์) จำกัด
 KANG YANG HARDWARE (THAILAND) CO., LTD.
 康揚越南有限公司
 CÔNG TY TNHH KANG YANG VIỆT NAM
 KANG YANG VIETNAM CO., LTD.

PROPRIETARY AND CONFIDENTIAL THE INFORMATION CONTAINED IN THIS DRAWING IS THE SOLE PROPERTY OF KANG YANG HARDWARE ENTERPRISE CO. ANY REPRODUCTION IN PART OR AS A WHOLE WITHOUT THE WRITTEN PERMISSION OF KANG YANG HARDWARE ENTERPRISE CO. IS PROHIBITED. DO NOT SCALE DRAWING	DATE	2024.05.31	TITLE	SPACER SUPPORT		DWG. NO.	PART NO.		
	DRAWN	C.S.L	BODY MATERIAL / COLOR	N66 UL94V-2 / BLACK		ULCOI-6.6LF		ULCOI-6.6LF	
	CHECKED	Yuping	LATCH MATERIAL / COLOR	N66 UL94V-0+GF / BLUE		SIZE	SPEC. DWG.	REV	
	APPROVED	Kang	UNLESS OTHERWISE SPECIFIED TOLERANCE:	SEE ABOVE		A4		A	
						SCALE: 3:1	UNIT	mm	SHEET 1 OF 1