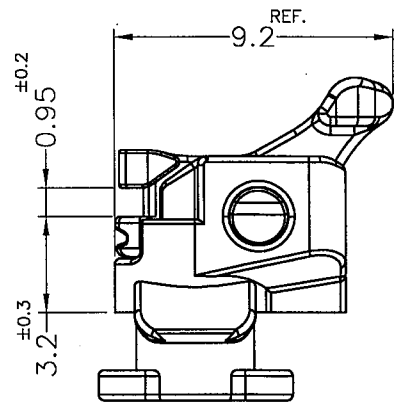
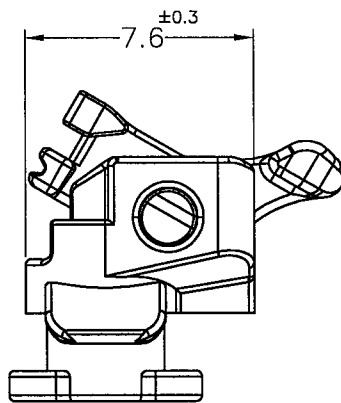
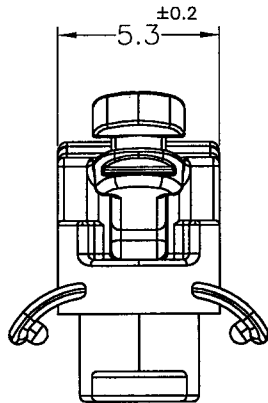
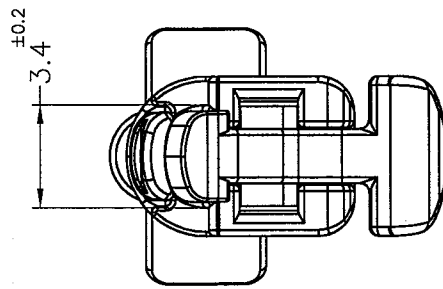
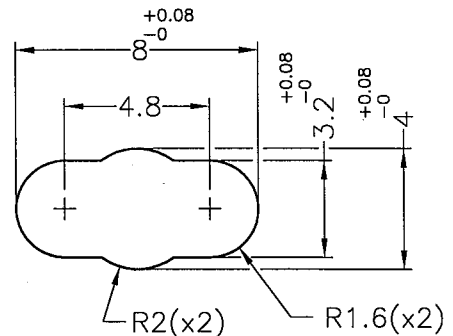
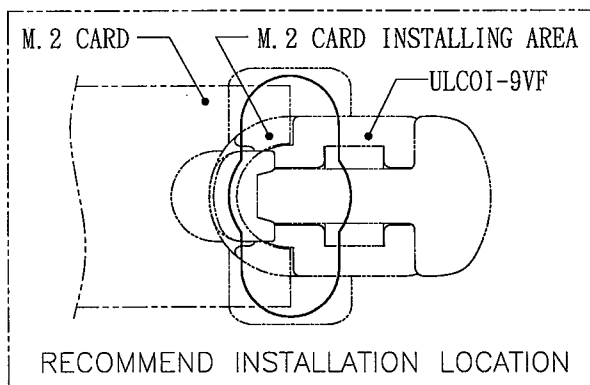


Patented Product  
專利產品



OPEN

CLOSE



MOUNTING HOLE  
THICKNESS: 1.6mm  
(RECOMMEND FOR REFERENCE ONLY)

- NOTE: 1. THE COLOR BATCH TEST REPORT IS ONLY FOR FIRST LOT TEST.  
色母環保檢測報告, 僅提供原始測試報告。  
2. SLIGHT DEFORMED IS NORMAL STATUS.  
輕微變形為正常現象。  
3. MADE OF PLASTIC OR EQUIVALENT MATERIALS.  
塑膠製品或同等材質。



康揚企業股份有限公司  
KANG YANG HARDWARE ENTERPRISE CO., LTD.  
康揚塑膠(東莞)有限公司  
KANG YANG PLASTIC(DONG GUAN)CO.,LTD.  
康哲電腦配件(吳江)有限公司  
KANG CHE COMPUTER COMPONENTS(WUJIANG)CO.,LTD.

康揚塑膠五金(泰國)有限公司  
บริษัท ตั้ง ทวาย ฮาร์ดแวร์ (ไทยแลนด์) จำกัด  
KANG YANG HARDWARE (THAILAND) CO., LTD.  
康揚越南有限公司  
CÔNG TY TNHH KANG YANG VIỆT NAM  
KANG YANG VIETNAM CO., LTD.

PROPRIETARY AND CONFIDENTIAL THE INFORMATION CONTAINED IN THIS DRAWING IS THE SOLE PROPERTY OF KANG YANG HARDWARE ENTERPRISE CO. ANY REPRODUCTION IN PART OR AS A WHOLE WITHOUT THE WRITTEN PERMISSION OF KANG YANG HARDWARE ENTERPRISE CO. IS PROHIBITED.  DO NOT SCALE DRAWING	DATE	TITLE	DWG. NO.	PART NO.	
	2024.06.17	M.2 SPACER	ULCOI-9VF	ULCOI-9VF	
	DRAWN	BODY MATERIAL / COLOR	SIZE		SPEC. DWG.
	C.S.L	N66(PA66) UL94V-0 / BLACK	A4		
CHECKED	LATCH MATERIAL / COLOR	SCALE: 4:1	UNIT	REV	
[Signature]	N66(PA66) UL94V-0+GF / BLUE	mm	A		
APPROVED	UNLESS OTHERWISE SPECIFIED TOLERANCE: SEE ABOVE	SHEET 1 OF 1			
[Signature]					