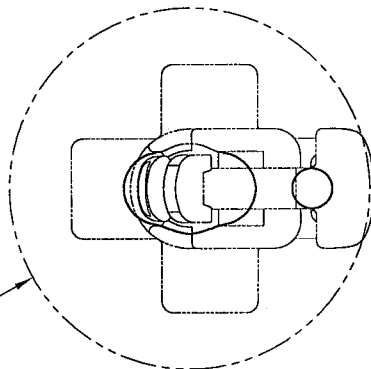
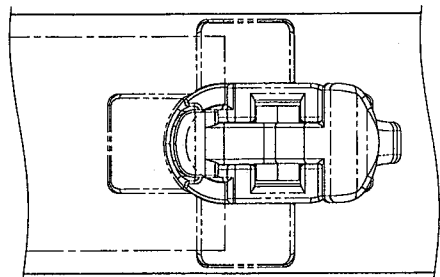
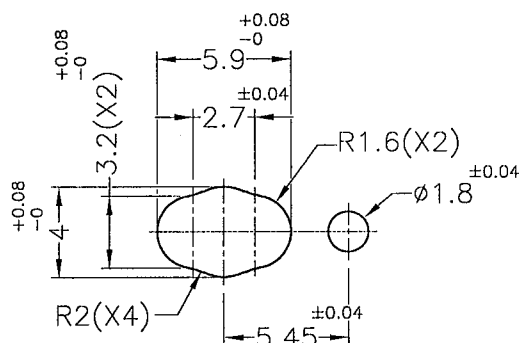
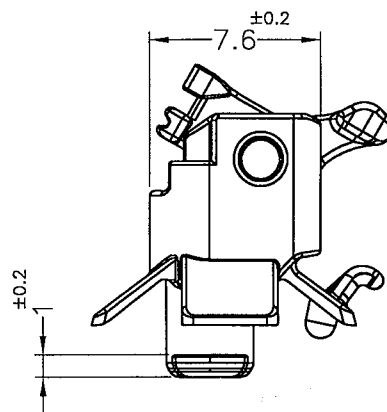
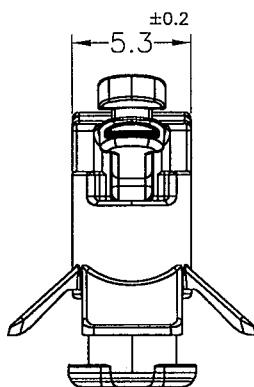
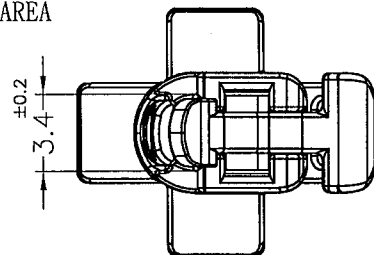
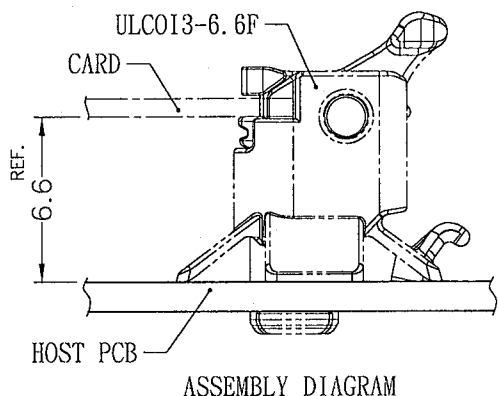


Patented Product

專利產品

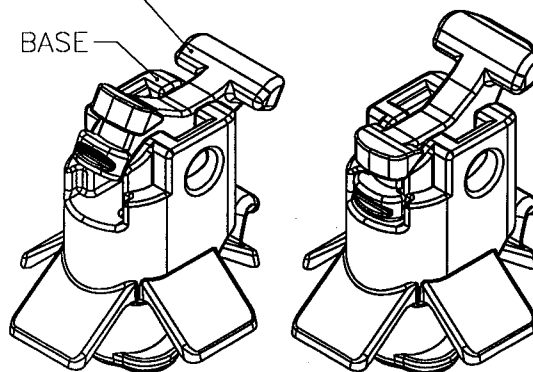


LIMITED FLEXIBILITY EXTENDING AREA
(彈性擴張限制區域)



MOUNTING HOLE
THICKNESS: 1.8~2.2mm
(RECOMMEND FOR REFERENCE ONLY)

LATCH HANDLE
LATCH BASE



OPEN

CLOSE

NOTE: 1. SHRINKING IS NORMAL STATUS.

內縮為正常現象。

2. MADE OF EQUIVALENT MATERIAL.

均可使用同等材質。

3. THE COLOR BATCH TEST REPORT IS ONLY FOR FIRST LOT TEST.

色母環保檢測報告，僅提供原始測試報告。

4. SLIGHT DEFORMED IS NORMAL STATUS.

輕微變形為正常現象。



ISO 9001
ISO 14001
QC 080000
IATF 16949

康揚企業股份有限公司
KANG YANG HARDWARE ENTERPRISE CO., LTD.

康揚塑膠(東莞)有限公司
KANG YANG PLASTIC(DONG GUAN)CO.,LTD.

康哲電腦配件(吳江)有限公司
KANG CHE COMPUTER COMPONENTS(WUJIANG)CO.,LTD.

康揚塑膠五金(泰國)有限公司

บริษัท คัง หยาง ฮาร์ดแวร์ (ไทยแลนด์) จำกัด
KANG YANG HARDWARE (THAILAND) CO., LTD.

康揚越南有限公司

CÔNG TY TNHH KANG YANG VIỆT NAM
KANG YANG VIETNAM CO., LTD.

PROPRIETARY AND CONFIDENTIAL
THE INFORMATION CONTAINED IN
THIS DRAWING IS THE SOLE PROPERTY
OF KANG YANG HARDWARE
ENTERPRISE CO. ANY
REPRODUCTION IN PART OR AS A
WHOLE WITHOUT THE WRITTEN
PERMISSION OF
KANG YANG HARDWARE ENTERPRISE
CO. IS PROHIBITED.

DO NOT SCALE DRAWING

DATE
2023.08.24

DRAWN
Terry

CHECKED
Yuping

APPROVED
Kang

TITLE
M.2 SPACER

LATCH BASE MATERIAL / COLOR
NYLON 66 UL94V-2 / BLACK

LATCH HANDLE MATERIAL / COLOR
NYLON 66 UL94V-0+GF / BLUE

UNLESS OTHERWISE SPECIFIED
TOLERANCE: SEE ABOVE

DWG. NO.

ULCOI3-6.6F

SIZE
A4

SCALE: 3:1

PART NO.

ULCOI3-6.6F

SPEC. DWG.

UNIT mm

REV
B

SHEET 1 OF 1