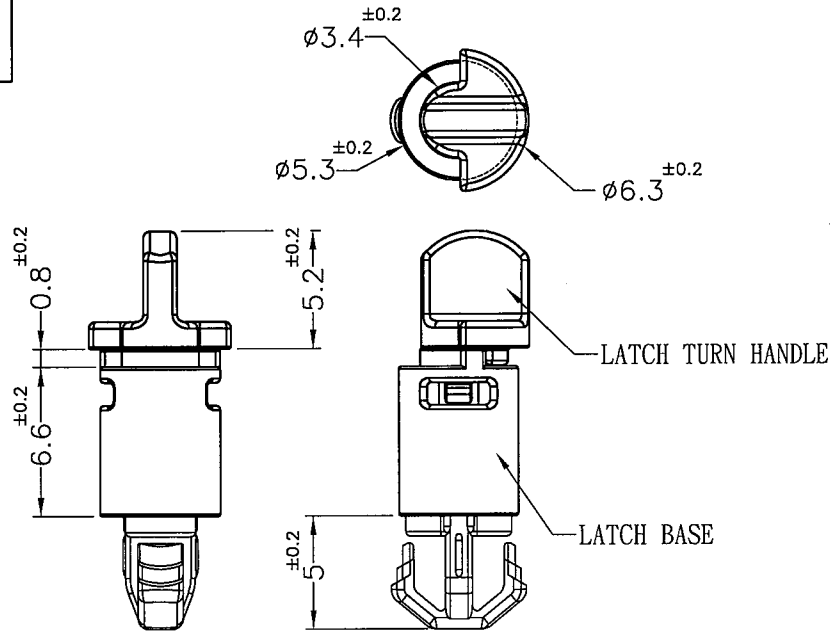
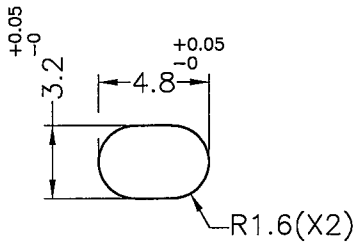
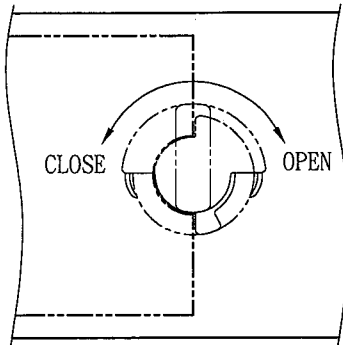


Patented Product
專利產品



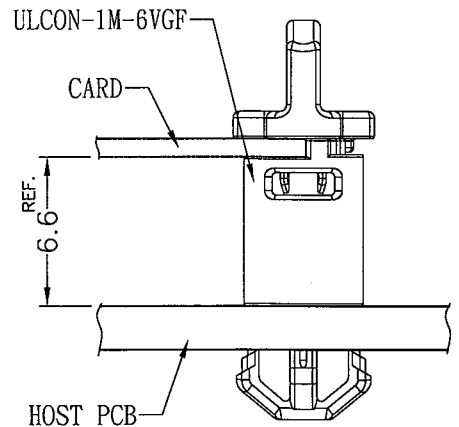
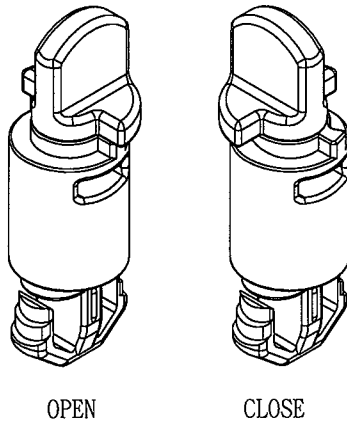
NAME	MATERIAL	COLOR
LATCH BASE	NYLON 66 UL94V-0	BLACK
LATCH TURN HANDLE	NYLON 66 UL94V-0+GF	GRAY (PANTONE 429C)



MOUNTING HOLE

THICKNESS: 1.93~2.4mm

(RECOMMEND FOR REFERENCE ONLY)



ASSEMBLY DIAGRAM

NOTE: 1. SHRINKING IS NORMAL STATUS.

內縮為正常現象。

2. MADE OF EQUIVALENT MATERIAL.

均可使用同等材質。

3. THE COLOR BATCH TEST REPORT IS ONLY FOR FIRST LOT TEST.

色母環保檢測報告, 僅提供原始測試報告。



康揚企業股份有限公司
KANG YANG HARDWARE ENTERPRISE CO., LTD.
康揚塑膠(東莞)有限公司
KANG YANG PLASTIC(DONG GUAN)CO., LTD.
康哲電腦配件(吳江)有限公司
KANG CHE COMPUTER COMPONENTS(WUJIANG)CO., LTD.

PROPRIETARY AND CONFIDENTIAL THE INFORMATION CONTAINED IN THIS DRAWING IS THE SOLE PROPERTY OF KANG YANG HARDWARE ENTERPRISE CO. ANY REPRODUCTION IN PART OR AS A WHOLE WITHOUT THE WRITTEN PERMISSION OF KANG YANG HARDWARE ENTERPRISE CO. IS PROHIBITED. DO NOT SCALE DRAWING	DATE	2023.06.27	TITLE	LATCH SPACER SUPPORT	DWG. NO.	ULCON-1M-6VGF	PART NO.	ULCON-1M-6VGF	
	DRAWN	Howl	MATERIAL	SEE ABOVE	SIZE	A4	SPEC. DWG	REV	A
	CHECKED	Yuping	COLOR	SEE ABOVE	FINISH				
	APPROVED	Kang	UNLESS OTHERWISE SPECIFIED TOLERANCE:	SEE ABOVE	SCALE:	4:1	UNIT	mm	SHEET 1 OF 1