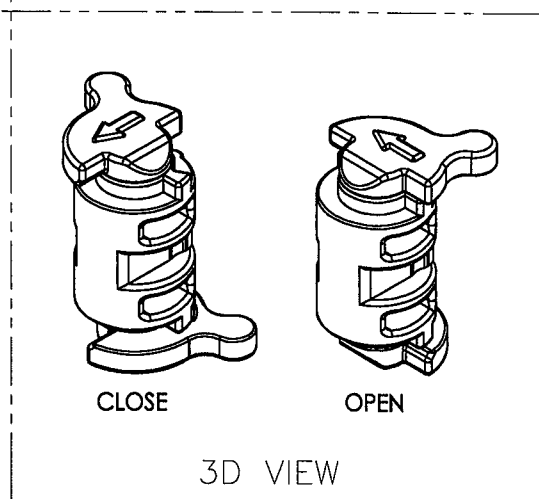
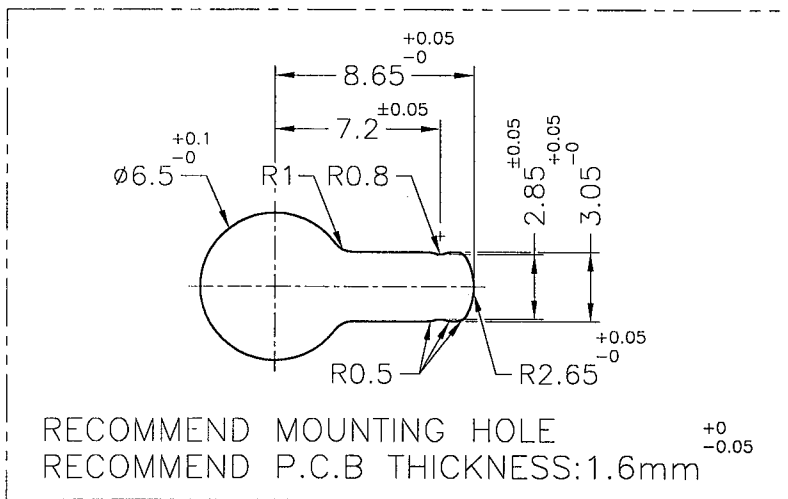
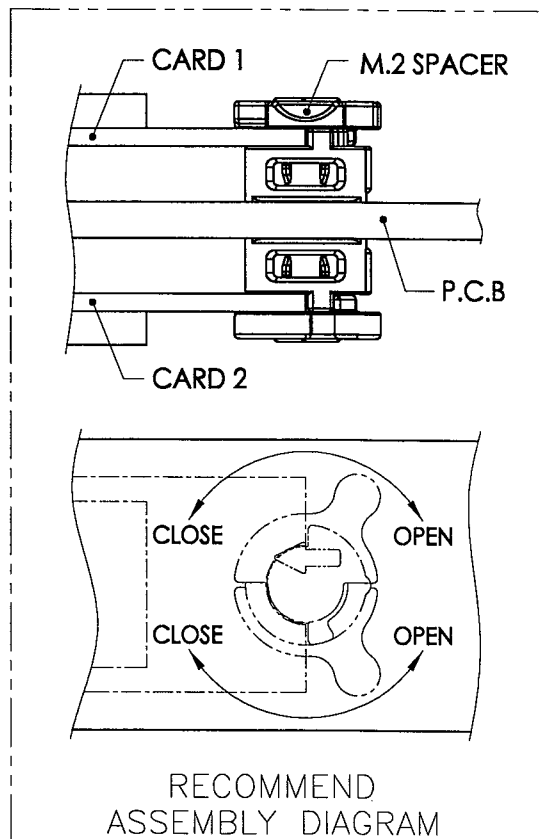
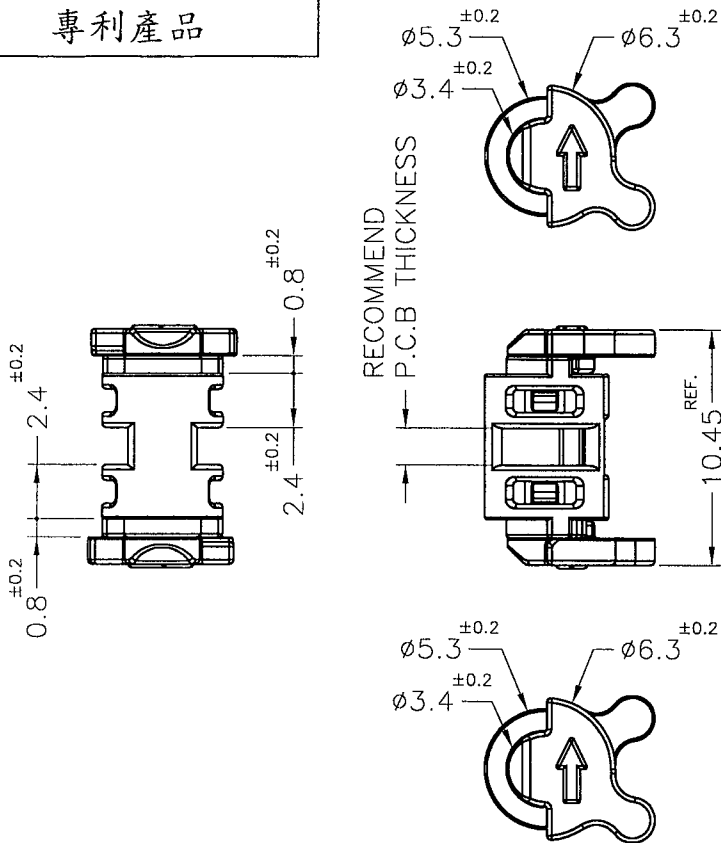


Patented Product
專利產品



- NOTE: 1. MADE OF EQUIVALENT MATERIAL.
均可使用同等材質。
2. SLIGHT DEFORMED IS NORMAL STATUS.
輕微變形為正常現象。
3. THE COLOR BATCH TEST REPORT IS ONLY FOR FIRST LOT TEST.
色母環保檢測報告, 僅提供原始測試報告。



康揚企業股份有限公司
KANG YANG HARDWARE ENTERPRISE CO., LTD.
康揚塑膠(東莞)有限公司
KANG YANG PLASTIC(DONG GUAN)CO.,LTD.
康哲電腦配件(吳江)有限公司
KANG CHE COMPUTER COMPONENTS(WUJIANG)CO.,LTD.

康揚塑膠五金(泰國)有限公司
บริษัท ห้าง ข่าย ฮาร์ดแวร์ (ไทยแลนด์) จำกัด
KANG YANG HARDWARE (THAILAND) CO., LTD.
康揚越南有限公司
CÔNG TY TNHH KANG YANG VIỆT NAM
KANG YANG VIETNAM CO., LTD.

PROPRIETARY AND CONFIDENTIAL THE INFORMATION CONTAINED IN THIS DRAWING IS THE SOLE PROPERTY OF KANG YANG HARDWARE ENTERPRISE CO. ANY REPRODUCTION IN PART OR AS A WHOLE WITHOUT THE WRITTEN PERMISSION OF KANG YANG HARDWARE ENTERPRISE CO. IS PROHIBITED. DO NOT SCALE DRAWING	DATE	2021.08.05	TITLE	M.2 SPACER	DWG. NO.	ULCON-3F	PART NO.	ULCON-3V0F	
	DRAWN	<i>H.W</i>	BODY MATERIAL / COLOR	NYLON66 UL94V-0 / BLACK	SIZE	A4	SPEC. DWG	REV	A
	CHECKED	<i>Kenny</i>	TURN HANDLE MATERIAL / COLOR	NYLON66 UL94V-0+GF / BLUE	SCALE	3:1	UNIT	mm	SHEET 1 OF 1
	APPROVED	<i>Kang</i>	UNLESS OTHERWISE SPECIFIED TOLERANCE:	SEE ABOVE					