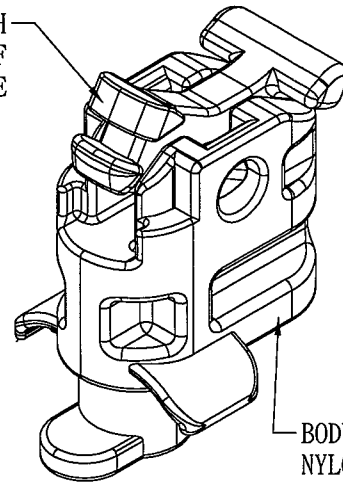


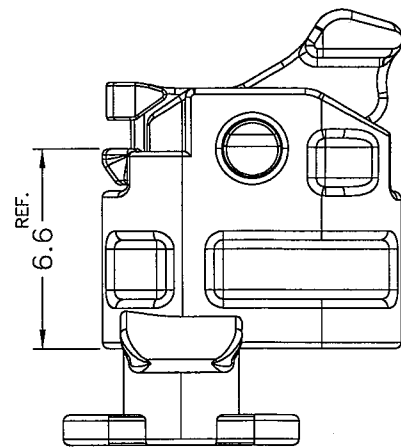
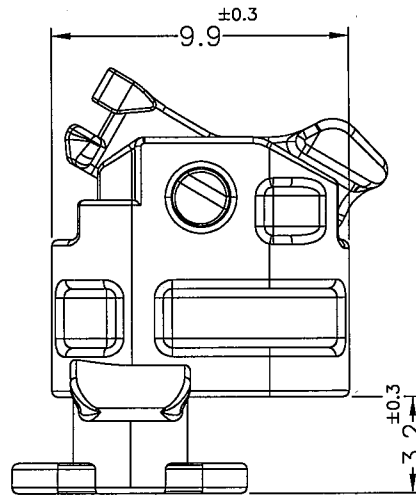
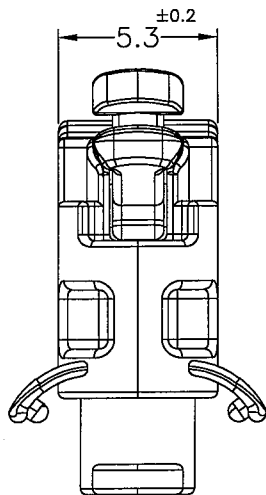
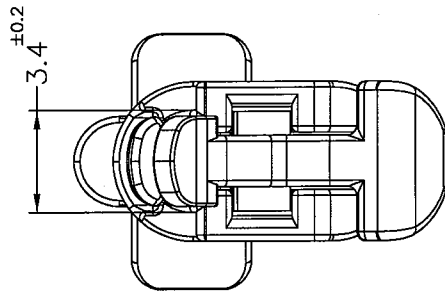
Patented Product

專利產品

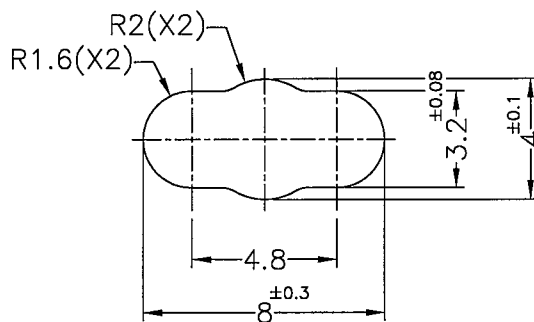
LATCH  
NYLON 66 UL94V-0+GF  
BLUE



BODY  
NYLON 66 UL94V-2  
BLACK



CLOSE



MOUNTING HOLE  
THICKNESS: 2.2mm  
(RECOMMEND FOR REFERENCE ONLY)

NOTE: 1. SHRINKING IS NORMAL STATUS.

內縮為正常現象。

2. MADE OF EQUIVALENT MATERIAL.

可使用同等材質。

3. THE COLOR BATCH TEST REPORT IS ONLY FOR FIRST LOT TEST.

色母環保檢測報告, 僅提供原始測試報告。



康揚企業股份有限公司  
KANG YANG HARDWARE ENTERPRISE CO., LTD.  
康揚塑膠(東莞)有限公司  
KANG YANG PLASTIC(DONG GUAN)CO., LTD.  
康哲電腦配件(吳江)有限公司  
KANG CHE COMPUTER COMPONENTS(WUJIANG)CO., LTD.

PROPRIETARY AND CONFIDENTIAL THE INFORMATION CONTAINED IN THIS DRAWING IS THE SOLE PROPERTY OF KANG YANG HARDWARE ENTERPRISE CO., ANY REPRODUCTION IN PART OR AS A WHOLE WITHOUT THE WRITTEN PERMISSION OF KANG YANG HARDWARE ENTERPRISE CO. IS PROHIBITED. DO NOT SCALE DRAWING	DATE	TITLE		DWG. NO.		PART NO.	
	2023.09.26	SPACER SUPPORT		ULCOP-6.6F		ULCOP-6.6F	
	DRAWN	MATERIAL		SIZE	SPEC. DWG	REV	A
	Howl	SEE ABOVE					
CHECKED	COLOR	FINISH		SCALE: 4:1	UNIT	mm	SHEET 1 OF 1
Yuping	SEE ABOVE	SEE ABOVE					
APPROVED	UNLESS OTHERWISE SPECIFIED		TOLERANCE:				
Kang	SEE ABOVE						