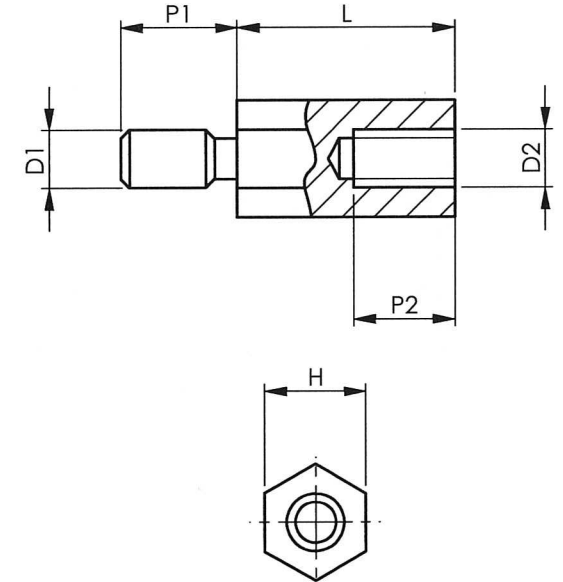


PART No		D1 + D2	L	H	P1	P2	REV.	MODIFICATION.	DATE	DRN					
HTSB-M2-L-4-2	M2	5	10/12/15/18/20/25/30/35/40/45/50	4	5	3									
		6				4									
		8				5									
						6									
						3									
						4									
						5									
						6									
						7									
						10									
						3									
		HTSB-M2.5-L-4-2				M2.5	5	15/18/20/25/30/35/40/45/50	4	6	3				
6	4														
8	5														
10	6														
12	7														
	10														
	3														
	4														
	5														
	6														
	7														
HTSB-M2.5-L-5-2	M2.5		5	15/18/20/25/30/35/40/45/50/55/60	5		6				3				
		6	4												
		8	5												
		10	6												
		12	7												
			10												
			3												
			4												
			5												
			6												
			7												
		HTSB-M3-L-5-2	M3			5		15/18/20/25/30/35/40/45/50/55/60	5	8	3				
6	4														
8	5														
10	6														
12	7														
	10														
	3														
	4														
	5														
	6														
	7														
HTSB-M3-L-5-2-L	M3			5	15/18/20/25/30/35/40/45/50/55/60	5.5	6				3				
		6	4												
		8	5												
		10	6												
		12	7												
			10												
			3												
			4												
			5												
			6												
			7												
		HTSB-M3-L-5.5-2-L	M3	5				15/18/20/25/30/35/40/45/50/55/60/65/70	5.5	6	3				
6	4														
8	5														
10	6														
12	7														
	10														
	3														
	4														
	5														
	6														
	7														
HTSB-M4-L-7-2	M4			5	15/18/20/25/30/35/40/45/50/55/60/65/70/75/80/85/90/95/100	7	8				3				
		6	4												
		8	5												
		10	6												
		12	7												
			10												
			3												
			4												
			5												
			6												
			7												
		HTSB-M5-L-8-2	M5	8				15/18/20/25/30/35/40/45/50/55/60/65/70/75/80/85/90/95/100	8	10	5				
10	6														
12	7														
	10														
	6														
	7														
HTSB-M6-L-10-2	M6			10	15/18/20/25/30/35/40/45/50/55/60/65/70/75/80/85/90/95/100	10	10				6				
				12							7				
				15/18							10				
											12				



INFORMATION CONTAINED IN THIS DOCUMENT IS CONFIDENTIAL TO KING ANGT LTD. Co. AND MAY NOT BE DISCLOSED OR REPRODUCED IN WHOLE OR PART WITHOUT THEIR WRITTEN CONSENT.

康揚企業股份有限公司
KANG YANG ENTERPRISES CO., LTD.
康揚塑膠(東莞)有限公司
KANG YANG PLASTIC PRODUCTS (DONGGUAN) CO., LTD.
康哲電腦配件(吳江)有限公司
KANG CHEE COMPUTER COMPONENTS (WUJIANG) CO., LTD.

ALL DIMENSIONS IN mm
GENERAL TOLERANCES ± 0.25
UNLESS OTHERWISE STATED
1 DECIMAL PLACE \pm
2 DECIMAL PLACES \pm
ANGULAR $\pm 1^\circ$

THIRD ANGLE

MATERIAL: BRASS)
NICKEL PLATING

COLOUR:

DESCRIPTION:
HEXAGONAL BRASS STANDOFF

PART No:
See Table

DRG No:

NPR No:

SHEET SIZE A4

DRN TC DATE 04/09/13 CHKD JK DATE 17/09/13 SCALE NTS SHEET No. 1 OF 1