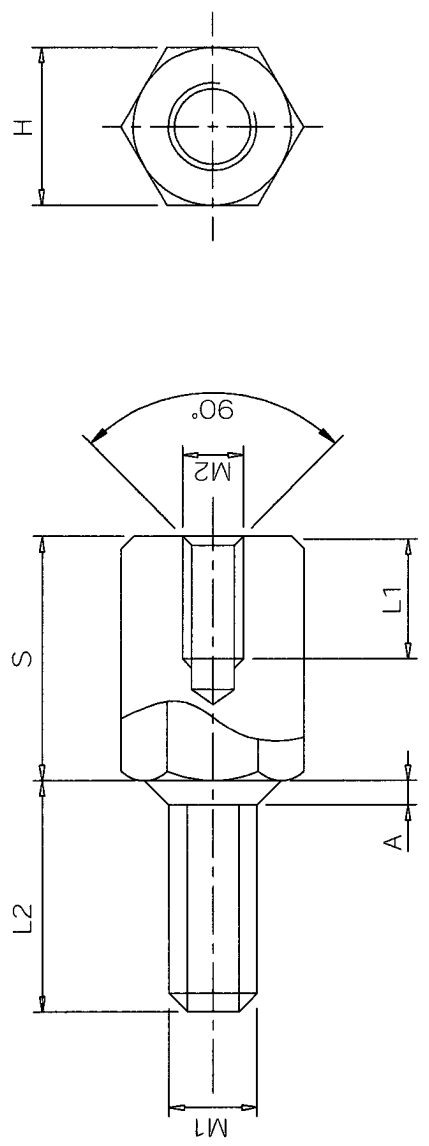


ISSUE No	REVISION	DATE	CHKD
A	NEW DWG	020301	KD



NOTES:
 1. STANDARD PACK QUANTITY: 1000
 2. ALL DIMENSIONS IN mm

PART REF.	M1	M2	L1	L2	A	H	S
HTSI-M8-L-13-2	M8	15.0	14.0	2.5	13.0	25.0	30.0
HTSI-M8-L-13-2	M8	12.0	14.0	2.5	13.0	18.0	20.0
HTSI-M8-L-13-2	M8	8.0	14.0	2.5	13.0	15.0	
HTSI-M6-L-10-2	M6	13.0	12.0	2.0	10.0	25.0	30.0
HTSI-M6-L-10-2	M6	12.0	12.0	2.0	10.0	18.0	20.0
HTSI-M6-L-10-2	M6	8.0	12.0	2.0	10.0	12.0	15.0
HTSI-M6-L-10-2	M6	6.0	12.0	2.0	10.0	10.0	
HTSI-M6-L-9-2	M6	10.0	10.0	2.0	10.0	25.0	30.0
HTSI-M6-L-9-2	M6	8.0	8.0	2.0	10.0	12.0	15.0
HTSI-M6-L-9-2	M6	6.0	8.0	2.0	10.0	10.0	
HTSI-M5-L-8-2	M5	10.0	10.0	1.6	8.0	25.0	30.0
HTSI-M5-L-8-2	M5	8.0	8.0	1.6	8.0	12.0	15.0
HTSI-M5-L-8-2	M5	6.0	8.0	1.6	8.0	10.0	
HTSI-M4-L-7-2	M4	10.0	10.0	1.4	7.0	25.0	30.0
HTSI-M4-L-7-2	M4	8.0	8.0	1.4	7.0	12.0	15.0
HTSI-M4-L-7-2	M4	6.0	8.0	1.4	7.0	10.0	
HTSI-M3-L-5-2	M3	10.0	10.0	1.0	5.5	25.0	30.0
HTSI-M3-L-5-2	M3	8.0	8.0	1.0	5.5	12.0	15.0
HTSI-M3-L-5-2	M3	6.0	8.0	1.0	5.5	10.0	
HTSI-M3-L-5-2	M3	4.0	8.0	1.0	5.5	8.0	
HTSI-M3-L-5-2	M3	3.0	8.0	1.0	5.5	5.0	
HTSI-M3-L-5-2	M3	10.0	10.0	1.0	5.0	25.0	30.0
HTSI-M3-L-5-2	M3	6.0	8.0	1.0	5.0	10.0	12.0
HTSI-M3-L-5-2	M3	4.0	8.0	1.0	5.0	8.0	
HTSI-M3-L-5-2	M3	3.0	8.0	1.0	5.0	5.0	
M1	M2	L1	L2	A	H	S	

DRN	KD	MATERIAL:	STAINLESS STEEL X8CNS18-9
CHKD	PG	TITLE	HEXAGONAL THREADED SPACER
APPD	PTG	DESCRIPTION	SEE TABLE
SCALE	NTS	DRG No	793-0100
PART DESIGNED IN		SIZE	A4
METRIC / IMPERIAL		INTERNATIONAL	
TOLERANCES - UNLESS OTHERWISE STATED		SHEET No	1 of 1
1 PLACE ± 0.25		DATE	020301
2 PLACE ± 0.25			
ANGLES = - -			

INFORMATION CONTAINED IN THIS DOCUMENT IS CONFIDENTIAL TO RICHCO INTERNATIONAL COMPANY AND MAY NOT BE DISCLOSED OR REPRODUCED IN ANY MANNER WITHOUT THEIR WRITTEN CONSENT.