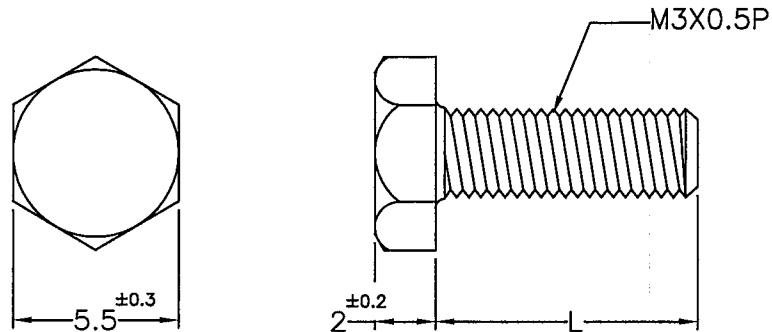





DIM.	TOL
5mm DOWN	±0.2
5~20mm	±0.3
20~40mm	±0.4
40~60mm	±0.5
60~100mm	±0.8
100mm UP	±1.0

REVISIONS			
REV	DESCRIPTION	DATE	BY



PART NO.	L
STM3-4	4.0
STM3-6	6.0
STM3-8	8.0
STM3-10	10.0
STM3-12	12.0

NOTE: MADE OF EQUIVALENT MATERIAL.
均可使用同等材質.

 <p>康揚企業股份有限公司 KANG YANG HARDWARE ENTERPRISE CO., LTD. 康揚塑膠(東莞)有限公司 KANG YANG PLASTIC(DONG GUAN) CO., LTD. 康哲電腦配件(吳江)有限公司 KANG CHE COMPUTER COMPONENTS(WUJIANG) CO., LTD.</p>				TITLE	SCREW	SPEC. DWG.	
				MATERIAL	NYLON 66 UL94V-2	DATE	2009.11.19
				FINISH		DRAWN	T. C
				COLOR	NATURAL	CHECK	
PART NUMBER	SEE ABOVE	DRAWING NUMBER	STM3-H	UNLESS OTHERWISE SPECIFIED TOLERANCE	SEE ABOVE	APPROVED	
SIZE	A4	SCALE	4:1	UNIT	mm	REV	B